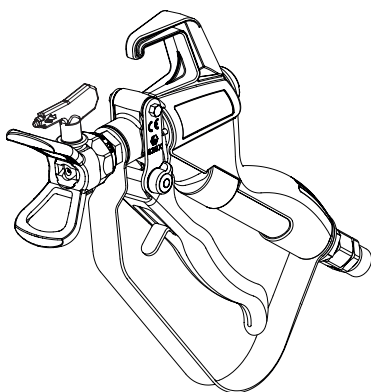




Owner's Manual • Betriebsanleitung  
Mode d'emploi • Gebruiksaanwijzing  
Manuale dell'utente • Manual de usuario  
Ejermanual • Användarmanual  
Manual de utilização

# M-4 / M-8

## High Capacity Spray Gun



### Model Numbers:

<b>M-4</b>	3600 PSI (250 bar), G-THD, with tip holder	0289013
<b>M-8</b>	7700 PSI (530 bar), G-THD, with tip holder	0289014

English .....p. 2  
Deutsch.....S. 14  
Français .....p. 26  
Español .....p. 38  
Italiano .....p. 50

Português.....p. 62  
Nederlands.....b. 74  
Dansk.....s. 86  
Svenska .....s. 98

## Safety Precautions



**Be safety-conscious! All local and national regulations governing ventilation, fire prevention, and operation must be observed.**



**HAZARD: Injection injury**

**A high pressure stream produced by this equipment can pierce the skin and underlying tissues, leading to serious injury and possible amputation. See a physician immediately.**

**DO NOT TREAT AN INJECTION INJURY AS A SIMPLE CUT! Injection can lead to amputation. See a physician immediately. Inform the physician of the type of coating material or cleaning agent with which the injury was caused.**

- NEVER aim the gun at any part of the body.
- NEVER allow any part of the body to touch the fluid stream. DO NOT allow body to touch a leak in the fluid hose.
- NEVER put hand in front of the gun. Gloves will not provide protection against an injection injury.
- Never point the spray gun at anyone else.
- ALWAYS lock the gun trigger, shut the pump off, and release all pressure before servicing, cleaning the tip or guard, changing tip, or leaving unattended. Pressure will not be released by turning off the motor. The PRIME/SPRAY valve must be turned to PRIME to relieve the pressure. Refer to the Pressure Relief Pressure described in the pump manual.
- ALWAYS keep the tip guard in place while spraying. The tip guard provides some protection but is mainly a warning device.
- ALWAYS remove the spray tip before flushing or cleaning the system.
- The paint hose can develop leaks from wear, kinking and abuse. A leak can inject material into the skin. Inspect the hose before each use.
- NEVER use a spray gun without a trigger lock and trigger guard in place and in good working order.
- All accessories must be rated at or above the maximum operating pressure range of the airless sprayer. This includes spray tips, extensions, and hose.



**HAZARD: Explosion hazard due to incompatible materials**

**Will cause severe injury or property damage.**

- Do not use materials containing bleach or chlorine.
- Do not use halogenated hydrocarbon solvents such as bleach, mildewcide, methylene chloride and 1,1,1 - trichloroethane. They are not compatible with aluminum.
- Contact your coating material supplier about the compatibility of material with aluminum.



## **HAZARD: General**

**This product can cause severe injury or property damage.**

1. Read all instructions and safety precautions before operating equipment.
2. Never spray near sources of ignition; e.g. open flames, cigarettes — also cigars and pipes are sources of ignition —, sparks, hot wires and hot surfaces, etc.
3. Wear respiratory equipment when spraying. The operator must be provided with a protective mask.

In order to prevent work related illness, the manufacturer's regulations for the materials, solvents, and cleaning agents used must be observed when preparing, working with and cleaning the unit. Protective clothing, gloves, eyewear, and, in certain cases, protective skin cream are necessary to protect the skin.

4. Follow the coating material and solvent manufacturer's warnings and instructions.
5. Extraction equipment should be installed by the user in accordance with local regulations.
6. The objects being sprayed must be earthed.
7. Before each use, check all hoses for cuts, leaks, abrasion or bulging of cover. Check for damage or movement of couplings. Immediately replace the hose if any of these conditions exist. Never repair a paint hose. Replace it with another grounded high-pressure hose.
8. Pulling the trigger causes a recoil force to the hand that is holding the spray gun.

The recoil force of the spray gun is particularly powerful when the tip has been removed and a high pressure has been set on the airless high-pressure pump. Therefore, when cleaning without tip set the pressure control valve to the lowest pressure.

9. Use only manufacturer authorized parts. User assumes all risks and liabilities when using parts that do not meet the minimum specifications and safety devices of the spray gun manufacturer.



## X marking:

The spray gun corresponds with Ex II 2G c IIC T6 X and is, in accordance with Directive 2014/34 EU, suitable for use in explosion-hazardous areas—as of type Zone 1. Under certain circumstances, the unit itself may cause the Zone 1 condition to be in effect.

Any static-electricity discharge from the spray gun is to be diverted to the grounded high-pressure pump via the conductive high-pressure hose as stipulated.

The maximum surface temperature corresponds to the permissible material temperature. This and the permissible ambient temperature can be found in the Technical Data.

To avoid the generation of machine sparks, prevent impact stresses and any work on the unit with tools in the explosion-hazardous area.

## Residual risks

Residual risks are risks, which cannot be excluded, even when equipment is used for the intended purpose.

In such cases the applicable areas of the actual residual risks will be pointed out using warning and/or prohibition signs.

Risk	Source / Cause	Impact	Preventative measures	Can occur during:
Injection injury	High pressure stream of fluid	Severe injury or amputation	NEVER aim the gun at any part of the body	Setup, Operation
Explosion or fire	Static electricity or sparks	Severe injury	Use well ventilated area Ground the spray gun	Operation
Hazardous vapors	Hazardous vapors from spray material	Severe injury	Use well ventilated area Use respiratory	Operation

# Technical Data

	<b>M-4</b>	<b>M-8</b>
<b>Max. operating pressure</b>	3600 PSI (25 MPa, 250 bar)	7700 PSI (53 MPa, 530 bar)
<b>Material inlet thread size</b>	3/8" NPS	1/4" NPS
<b>Diffuser thread size</b>	7/8" NPS	7/8" NPS
<b>Wetted parts material</b>	High-grade steel, aluminum, PTFE, hard metal	
<b>Operating temperature range</b>	41°F to 104°F (5°C to 40°C)	
<b>Maximum material temperature</b>	109°F (43°C)	
<b>Weight (cpl. incl. tip guard and tip)</b>	1.5 lbs (680 g)	

## Introduction

This airless spray gun is to be used for the high pressure atomization of liquid coating materials.

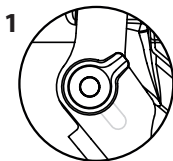
The 3600 PSI (250 bar) version is especially suitable for processing spray filler.

The 7700 PSI (530 bar) version is best suited for protective coating applications and can be used with all pumps that can generate such a high pressure.

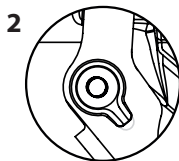
## Using the Gun Trigger Lock

Always engage the gun's trigger lock when the gun is not in use.

1. To lock the trigger, turn the trigger safety lock up as far as it will go.
2. To unlock the trigger, turn the safety lock downwards.



Gun locked  
(gun will not spray)



Gun unlocked  
(gun will spray)

## Gun filter



The M-4 / M-8 does not include a pre-mounted gun filter. Depending on the type of material being processed, we recommend using the appropriate gun filter.  
**Attention: When processing spray filler and similar materials, do not use a gun filter as the filter can otherwise become blocked.**

## Setup

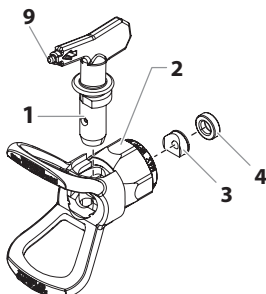


**Never attempt to assemble, change, or clean the gun, tip, or tip guard without first relieving pressure from the spray system. Follow the "Pressure Relief Procedure" in the sprayer's Owner's Manual.**



**Always use a tip safety guard for added protection against injection. Beware that the guard alone will not prevent injection. Never cut off tip guard! Always engage gun trigger lock when the gun is not in use. Before servicing equipment, consult Owner's Manuals and follow all warnings.**

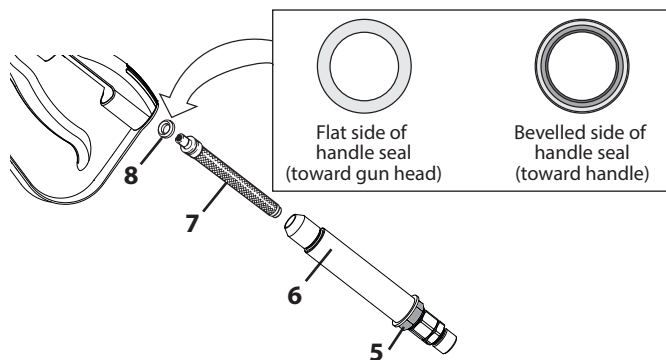
1. Remove the tip (1) and tip guard (2) from the spray gun.
2. With the tip (9) of the tip knob, insert the tip seal (3) and seal (4) into the rear side of the tip guard (2) and press hard.
3. Insert the tip (1) into the slot on the tip guard.



4. Thread the tip guard onto the gun. Position the tip guard in the desired spraying position, then tighten securely.



**The arrow on the tip handle should be pointing in the forward direction for spraying.**



5. Loosen the fitting (5) with a wrench and pull the filter compartment (6) and filter (7) out of the gun.
6. Insert the correct gun filter (7) into the filter compartment (6) (narrow end of filter faces upwards).
7. Place the handle seal (8) into the gun head with the flat side of the seal toward the gun head.
8. Insert the filter compartment (6) back into the gun and screw it securely into place.
9. Connect a Titan original high-pressure hose of the proper pressure rating to the material inlet on the airless gun. Using two wrenches (one on the gun and one on the hose), tighten securely.



**Before connecting to the airless spray device, check that all parts of the gun and hose are screwed firmly and securely into position.**

## Operation

1. Make sure the arrow on the tip handle is pointing in the forward direction for spraying.
2. Start the sprayer. Refer to the instructions in the sprayer's Owner's Manual.
3. Adjust the fluid pressure on the sprayer until the spray is completely atomized. Always spray at the lowest pressure necessary to get the desired results.



**The spray tip determines the size of spray pattern and coverage. When more coverage is needed, use a larger tip instead of increasing fluid pressure.**

4. To clear a clogged tip:
  - a. Rotate the tip 180° so that the arrow on the tip handle is pointing opposite the spray direction.
  - b. Trigger the gun once so that the pressure can blow the clog out.



**Never pull the trigger more than once at time with the tip in the reverse position.**

- c. Continue this procedure until the tip is clear of the clog.

## Changing a Tip

Tips can be removed and replaced easily without disassembling the gun.

### Identifying Tip Sizes

To identify tip sizes, use the following formula. A "517" tip size will be used in this example.

The first digit multiplied by two represents the size of the spray pattern when spraying 12" away from the work surface:

$$5 \times 2 = 10'' \text{ spray pattern}$$

The second two digits represent the diameter of the orifice on the tip:

$$17 = .017'' \text{ orifice}$$



**Never attempt to change or clean the tip or tip guard without first performing the "Pressure Relief Procedure."**

1. Perform the "Pressure Relief Procedure" described in the sprayer's Owner's Manual.
2. Remove the tip from the slot on the tip guard.
3. Insert the new tip into the slot on the tip guard. The arrow on the tip handle should be pointing in the forward direction for spraying.

### Removing the Seal and Tip seal

1. Remove the tip and tip guard from the spray gun.
2. Remove the seal and tip seal from the back of the tip guard.



**Worn tips have a negative impact on the spray pattern and will lead to increased material consumption and a smaller width of the spray jet. Replace worn tips immediately.**



## Cleanup

A well-cleaned airless gun is essential for a satisfactory level of operational quality. Flush the gun after each use and store in a dry location. Do not leave the gun or any of its parts in water or solvents.



### **Special cleanup instructions for use with flammable solvents:**

- Always flush spray gun preferably outside and at least one hose length from spray pump.
- If collecting flushed solvents in a 1 gallon (4 litre ) metal container, place it into an empty 5 gallon (20 litre) container, then flush solvents.
- Area must be free of flammable vapors and well ventilated.
- Follow all cleanup instructions.



Attention

**The spray device, the hose and the airless gun have to be cleaned thoroughly after using, as otherwise the paint that was used can accumulate and considerably impair the performance of the device.**



**Always spray at the lowest possible pressure when the tip and tip guard have been removed. To clean the airless gun, hose and spray device, use only water or a suitable solvent.**

## Maintenance

Follow all safety precautions as described in the Safety Precautions section of this manual before proceeding.



Refer to the Spare Parts List section in this manual for part identification.

### Replacing/Serviceing the Seal Assembly

If any material leaks from the spray gun when the trigger is not activated, then either the needle or the needle seat could be worn, damaged or dirty and need to be cleaned or replaced.



**Never attempt to perform maintenance on the spray gun without first performing the "Pressure Relief Procedure."**

1. Disconnect the material hose from the airless gun.  
For the next steps, please refer to the picture on page 11.
2. Remove the tip and tip guard.
3. With the trigger depressed, remove the diffuser from the front of the gun.
4. Unscrew the cap (1) with a flat head screw driver, then remove the spring (2).
5. With the 10-mm socket wrench, loosen the needle (3) and pull it out of the gun.
6. Clean the removed parts thoroughly.
7. Inspect the parts for wear or damage and use new parts during reassembly of the gun, when necessary.



**Lubricate all packings and moving parts before reassembly with a lithium-based grease.**

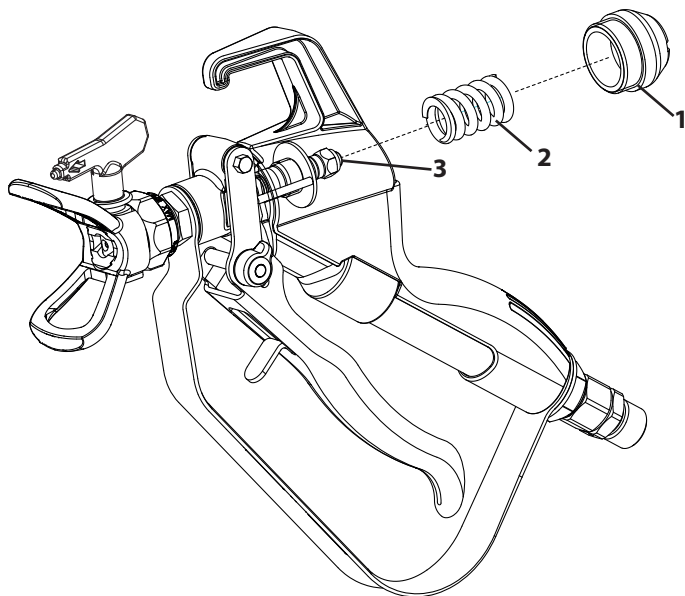
8. Slide the rear housing onto the retractor pins and secure in position with the lock nut.
10. With the trigger depressed, install the diffuser into the front of the gun head and tighten securely with a wrench.
11. Insert the needle back into the gun.
12. Replace the spring (2) and tighten the cap (1) as far as the stop.
13. If required, adjust the packing as described below.

## Adjusting the Packing Seal Assembly



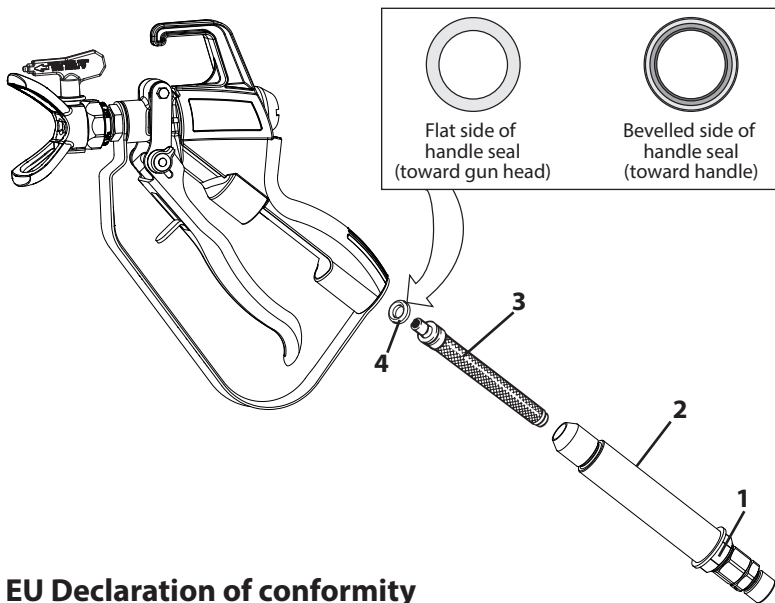
There is a hole in the cap (1). If coating medium is discharged from this hole, the packing requires adjustment

1. Unscrew the cap (1) with a flat head screw driver, then remove the spring (2).
2. Use box spanner 10 mm socket wrench to turn the pressure plate a quarter turn to the right.
3. Replace the spring (2) and tighten the cap (1) as far as the stop.  
If the problem persists, please consult your Titan service center.



## Replacing/Removing the Filter

1. Loosen the fitting (1) with a wrench and pull the filter housing (2) and filter (3) out of the gun.
2. Take the old filter out of the filter housing.
3. Insert the new filter, with the narrow end facing upwards, into the filter housing.
4. Place the handle seal into the gun head with the flat side of the seal toward the gun head.
5. Insert the filter housing (3) back into the gun and screw it securely into place.



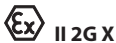
## EU Declaration of conformity

We declare under sole responsibility that this product conforms to the following relevant stipulations:

2006/42/EC, 2014/34/EU, 2011/65/EU

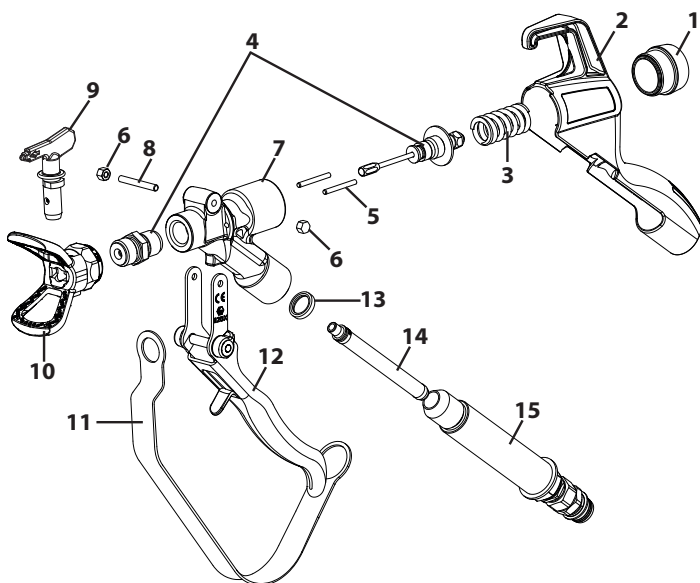
Applied harmonised norms:

EN ISO 12100, EN 1953, EN ISO 80079-36



The EU declaration of conformity is enclosed with the product.  
If required, it can be re-ordered using order number **2389342**.

## Spare parts list



Item	Part #	Description
1	0335301 2339659	Cap (3600 PSI, 250 bar) Cap (7700 PSI, 530 bar)
2	2332588	Handle recess
3	2344878 0347335	Pressure spring (3600PSI, 250 bar) Pressure spring (7700PSI, 530 bar)
4	2347489	Seal Assy/Diffuser
5	2332598	Cylinder pin
6	9910403	Cap nut
7	2343066 2343158	Gun housing (3600 PSI, 250 bar) Gun housing (7700 PSI, 530 bar)
8	2343085	Bolt

Item	Part #	Description
9	662-xxx 696-xxx	SC6+Tip TR High Pressure tip (7700 PSI, 530 bar)
10	0289228 661-027	Tip guard (G thread) 3600 PSI (250 bar) 7700 PSI (530 bar)
11	2332605	Trigger guard
12	2333189	Trigger, complete
13	0043303	Grip seal
14	0089958 0089957	Gun filter (white, 2 pc.) Gun filter (green, 2 pc.)
15	2347490 2347492	Filterhousing (3600 PSI, 250 bar) Filterhousing (7700 PSI, 530 bar)

# Sicherheitshinweise



**Sicherheit ist oberstes Gebot! Es müssen alle lokalen und nationalen Vorschriften zur Entlüftung, zum Brandschutz und zum Arbeitsschutz eingehalten werden.**



**GEFAHR: Verletzung durch Flüssigkeiten unter Druck**

**Der durch dieses Gerät erzeugte Hochdruckflüssigkeitsstrahl kann Haut und Bindegewebe durchdringen und schwere Verletzungen verursachen, die sogar zur Amputation führen können. Sofort einen Arzt aufsuchen.**

**EINE VERLETZUNG DURCH EINE INJEKTION VON FLÜSSIGKEIT UNTER DRUCK NICHT WIE EINEN NORMALEN SCHNITT BEHANDELN! Eindringen von Flüssigkeiten unter Druck in das Gewebe können Amputationen erforderlich machen. Sofort einen Arzt aufsuchen. Der Arzt muss über die Art des Überzugs oder Reinigungsmittels informiert werden, der bzw. das die Verletzung verursacht hat.**

- NIEMALS die Airless Pistole auf Körperteile richten.
- NIEMALS mit Körperteilen in den Flüssigkeitsstrahl kommen. NIEMALS mit dem Körper eine Leckstelle im Druckschlauch berühren.
- NIEMALS die Hand vor die Düse der Airless Pistole halten. Handschuhe stellen keinen sicheren Schutz vor Verletzungen durch injizierte Flüssigkeiten dar.
- NIEMALS die Airless Pistole auf Personen richten.
- STETS den Abzug der Airless Pistole verriegeln, die Pumpe ausschalten und den Druck vollständig entlasten, bevor Wartungs- und Reinigungsarbeiten an Düse und Düsenschutz oder Düsenwechsel durchgeführt werden oder das Gerät unbeaufsichtigt gelassen wird. Auch nach dem Ausschalten des Motors steht das Gerät noch unter Druck. Das Ventil PRIME/SPRAY (Vorfüllen/Sprühen) muss auf PRIME (Vorfüllen) gestellt sein, um den Druck zu entlasten. Der Ansprechdruck für das Ventil ist im Pumpenhandbuch angegeben.
- STETS den Düsenschutz beim Sprühen aufsetzen. Der Düsenschutz stellt einen gewissen Schutz dar, ist aber vor allem als Warnvorrichtung gedacht.
- STETS die Spritzdüse entfernen, bevor das System gereinigt oder gespült wird.
- Der Farbschlauch kann durch falsche Verwendung, Knicken und durch Verschleiß undicht werden. Durch eine Leckstelle kann Flüssigkeit in die Haut injiziert werden. Vor Verwendung den Schlauch gründlich prüfen.
- NIEMALS eine Airless Pistole ohne Abzugsicherung und funktionsfähigen Abzugbügel verwenden.
- Das gesamte Zubehör muss mindestens für den maximalen Betriebsdruck des Airless-Spritzgeräts zugelassen sein. Dies betrifft Spritzdüsen, Verlängerungen und den Schlauch.



**GEFAHR: Explosionsgefahr aufgrund inkompatibler Materialien**

**Inkompatible Materialien können schwere Personen- und Sachschäden verursachen.**

- Keine Materialien verarbeiten, die Chlor oder Hypochlorid enthalten.
- Keine halogenierten Kohlenwasserstoffe als Lösungsmittel verwenden, beispielsweise Hypochloridlösung, Schimmelbekämpfungsmittel, Methylenchlorid und 1,1,1-Trichlorethan. Diese Lösungsmittel greifen Aluminium an.
- Informationen zur Verträglichkeit des verwendeten Beschichtungsmaterials mit Aluminium erhalten Sie vom Hersteller.



**GEFAHR: Allgemeines**

**Kann schwere Personen- oder Sachschäden verursachen.**

1. Alle Anweisungen und Sicherheitshinweise durcharbeiten, bevor das Gerät in Betrieb genommen wird.
2. Niemals in der Nähe von Zündquellen sprühen, d. h. nicht in der Nähe von offenen Flammen, Zigaretten (auch Zigarren und Pfeifen sind Zündquellen), Funken, heißen Drähten, heißen Oberflächen usw.
3. Beim Sprühen Atemschutz tragen. Der Bediener muss eine Schutzmaske tragen. Um arbeitsbedingte Erkrankungen zu vermeiden, die Vorschriften des Herstellers zu den Farben bzw. Lacken, Lösungsmitteln und Reinigungsmitteln beachten, wenn das Gerät vorbereitet, benutzt und gereinigt wird. Schutzkleidung, Arbeitshandschuhe, Augenschutz und in bestimmten Fällen eine besondere Hautschutzcreme verwenden.
4. Die Warnhinweise und Anweisungen des Herstellers von Farbe bzw. Lack und Lösungsmittel beachten.
5. Die Absaugvorrichtungen müssen vom Benutzer entsprechend den vor Ort geltenden Vorschriften angeschlossen werden.
6. Die für die Beschichtung vorgesehenen Gegenstände müssen geerdet sein.
7. Vor jedem Einsatz alle Schläuche auf Schnitt-, Leck- und Scheuerstellen sowie auf Verformungen des Schlauchmantels kontrollieren. Die Kupplungen auf Unversehrtheit und festen Sitz kontrollieren. Den Schlauch sofort ersetzen, wenn einer der erwähnten Fehler festgestellt wird. Einen Farbschlauch niemals reparieren. In diesem Fall den Schlauch durch einen anderen geerdeten Hochdruckschlauch ersetzen.
8. Bei Betätigung des Abzugs zieht die Airless Pistole zur Seite. Diese Kraftwirkung der Airless Pistole ist besonders stark, wenn die Düse entfernt wurde und bei der Hochdruckpumpe hoher Druck eingestellt wurde. Bei der Reinigung mit abgeschraubter Düse daher das Druckregelventil auf den niedrigsten Druck einstellen.
9. Nur vom Hersteller zugelassene Teile verwenden. Der Benutzer trägt alle Risiken und das gesamte Haftungsrisiko bei Verwendung von Teilen, die nicht die technischen Mindestdaten erfüllen, sowie bei Verwendung von Sicherheitsvorrichtungen, die nicht vom Hersteller der Airless Pistole stammen.



## Kennzeichnung X:

Die Airless Pistole entspricht Ex II 2G c IIC T6 X und ist nach der Richtlinie 2014/34 EU geeignet für den Einsatz in explosionsgefährdeten Bereichen der Zone 1. Unter Umständen erzeugt das Gerät selbst schon den Bereich der Zone 1.

Eine mögliche elektrostatische Aufladung der Airless Pistole ist über den nach Vorschrift leitenden Hochdruckschlauch zur geerdeten Hochdruckpumpe abzuleiten.

Die max. Oberflächentemperatur entspricht der zulässigen Materialtemperatur. Diese und die zulässige Umgebungstemperatur sind im Kapitel „Technische Daten“ zu finden.

Um die Entstehung von Funken an der Maschine zu verhindern, Schlagbelastungen vermeiden und an dem Gerät in explosionsgefährdeten Bereichen keine Werkzeuge einsetzen.

## Restrisiken

Restrisiken sind Risiken, die auch bei bestimmungsgemäßer Verwendung nicht ausgeschlossen werden können.

Gegebenenfalls weisen Warn- und Verbotsschilder an den jeweiligen Risikostellen auf bestehende Restrisiken hin.

Gefahr	Quelle/Ursache	Auswirkung	Vorbeugende Maßnahmen	Kann auftreten während:
Injektionsverletzung	Unter Hochdruck stehender Flüssigkeitsstrom	Schwere Verletzung oder Amputation	Richten Sie die Pistole NIEMALS auf Körperteile	Montage, Betrieb
Explosion oder Feuer	Statische Elektrizität oder Funken	Schwere Verletzung	Nur in gut durchlüfteten Bereichen verwenden Erden Sie die Airless Pistole	Betrieb
Gefährliche Dämpfe	Gefährliche Dämpfe aus den Spritzmaterialien	Schwere Verletzung	Nur in gut durchlüfteten Bereichen verwenden Verwenden Sie eine Maske	Betrieb



# Technische Daten

	M-4	M-8
<b>Maximaler Betriebsdruck</b>	25 MPa (250 bar, 3600 PSI)	53 MPa (530 bar, 7700 PSI)
<b>Gewinde Materialeingang</b>	3/8" NPS	1/4" NPS
<b>Diffusergewinde</b>	7/8" NPS	7/8" NPS
<b>Werkstoffe der Teile, die Kontakt mit dem Beschichtungsmaterial haben</b>	Qualitätsstahl, Aluminium, PTFE, Hartmetall	
<b>Betriebstemperaturbereich</b>	5°C bis 40°C (41°F - 104°F)	
<b>Maximale Farbtemperatur</b>	43°C (109°F)	
<b>Gewicht (kpl. inkl. Düsenhalter und Düse)</b>	680 g (1,5 lbs)	

## Einführung

Diese Airless Pistole ist für die Hochdruck-Zerstäubung von flüssigen Beschichtungstoffen vorgesehen.

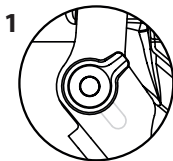
Die 250 bar Version ist besonders für die Verarbeitung von Spritzspachtel geeignet.

Die 530 bar Version empfiehlt sich für Protective Coating Anwendungen und für den Einsatz mit allen Pumpen, die einen entsprechend hohen Druck erzeugen.

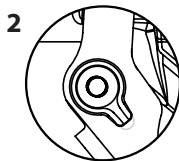
## Verwendung der Pistolenabzugsicherung

Die Pistolenabzugsicherung immer einlegen, wenn die Airless Pistole nicht verwendet wird.

1. Zum Verriegeln des Abzugs die Abzugssicherung nach oben bis zum Anschlag drehen.
2. Zum Entriegeln des Abzugs die Abzugssicherung nach unten drehen.



1  
Abzug verriegelt  
(Spritzpistole  
sprüht nicht)



2  
Abzug entriegelt  
(Spritzpistole  
sprüht)

## Pistolenfilter



In der M-4 / M-8 ist kein Pistolenfilter vormontiert. Abhängig vom zu verarbeitenden Material ist es empfehlenswert, einen der Düse entsprechenden Pistolenfilter zu verwenden.

**Achtung:** Bei der Verarbeitung von Spritzspachtel und ähnlichen Materialien keinen Pistolenfilter verwenden, da der Filter ansonsten verstopft.

## Inbetriebnahme

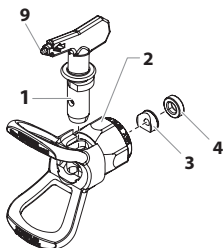


Die Airless Pistole, die Düse oder den Düsenschutz niemals zerlegen, wechseln oder reinigen, wenn der Druck im Spritzsystem noch nicht entastet ist. Den Druck entsprechend den Anweisungen in der Betriebsanleitung des Spritzgeräts entlasten.



Zum zusätzlichen Schutz gegen eine Injektion stets den Düsenschutz verwenden. Der Düsenschutz allein verhindert jedoch eine Injektion nicht. Niemals den Düsenschutz abschneiden! Wenn die Airless Pistole nicht verwendet wird, den Abzug stets verriegeln. Vor Wartungsarbeiten am Gerät die Betriebsanleitung durcharbeiten und alle Warnhinweise beachten.

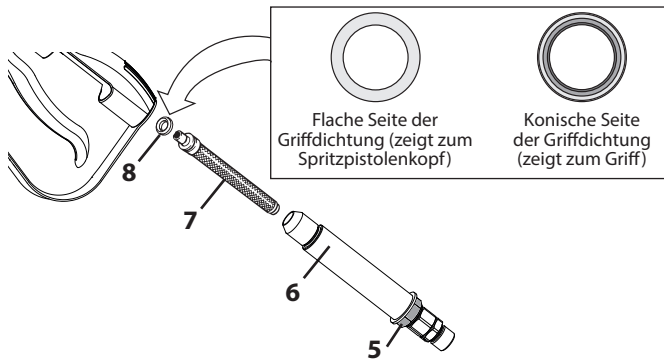
1. Düse (1) und Düsenschutz (2) von der Airless Pistole entfernen.
2. Mit der Spitze (9) am Düsengriff die Düsendichtung (3) und die Dichtung (4) in die Rückseite des Düsenschutzes (2) einsetzen und festdrücken.
3. Die Düse (1) in die Öffnung im Düsenschutz einsetzen.



4. Den Düsenschutz an die Airless Pistole einschrauben. Den Düsenschutz in die gewünschte Sprühhichtung stellen und festziehen.



**Der Pfeil auf der Düse muss nach vorn in Sprühhichtung zeigen.**



5. Verschraubung (5) mit Schraubenschlüssel lösen und Filtergehäuse (6) und Filter (7) aus Pistole ziehen.
6. Geeigneten Pistolenfilter (7) in Filtergehäuse (6) einlegen (schmales Ende des Filters zeigt nach oben).
7. Die Griffdichtung (8) mit der flachen Seite zum Pistolenkopf einschieben.
8. Filtergehäuse (6) wieder in Pistole einsetzen und festschrauben.
9. Einen für den Druck geeigneten original Hochdruckschlauch von Titan am Materialeingang der Airless Pistole anschließen. Den Schlauch mit zwei Schraubenschlüsseln (einem an der Airless Pistole und einem am Schlauch) festziehen.



**Überprüfen Sie vor dem Anschluss an das Airless Spritzgerät, dass alle Teile der Pistole und der Schlauch fest und sicher verschraubt sind.**

## Betrieb

1. Den Pfeil auf der Düse in Spritzrichtung drehen.
2. Das Airless-Gerät in Betrieb nehmen (siehe Bedienungsanleitung des Airless-Gerätes).
3. Spritzdruck am Spritzgerät so einstellen, dass der Farbstrahl beim Austritt an der Düse komplett zerstäubt wird. Immer den geringst möglichen Spritzdruck verwenden, mit dem noch ein gutes Spritzbild erreicht wird.



**Die Spritzdüse bestimmt die Größe des Sprühmusters und die Deckung. Wenn eine bessere Deckung erforderlich ist, eine größere Düse verwenden, ohne den Druck zu erhöhen.**

4. Reinigung einer verstopften Düse:
  - a. Die Düse um 180° drehen, sodass der Pfeil auf der Düse entgegen der Sprührichtung zeigt.
  - b. Die Airless Pistole kurz auslösen, sodass die Verstopfung durch den Druck beseitigt werden kann.



**Den Abzug immer nur kurz betätigen, wenn die Düse in der verkehrten Richtung steht.**

- c. Diesen Schritt wiederholen, bis die Verstopfung der Düse beseitigt ist.

## Düse wechseln

Düsen können bequem entfernt und ersetzt werden, ohne dass die Airless Pistole zerlegt werden muss.

## Düsengröße bestimmen

Zur Bestimmung der Düsengröße dient folgende Formel: Bei diesem Beispiel wird eine Düsengröße 517 verwendet.

Die erste Ziffer multipliziert mit 2 entspricht der Größe des Sprühbildes in einem Abstand von 12" (30,5 cm) von der Arbeitsfläche:

$$5 \times 2 = 10" \text{ (25,4 cm) Sprühbild}$$

Die beiden anderen Ziffern geben den Durchmesser der Düsenöffnung an:

$$17 = 0,017" \text{ (0,043 mm) Düsenöffnung}$$



**Niemals die Düse oder den Düsenschutz wechseln oder reinigen, wenn das System noch unter Druck steht.**

1. Den Druck entsprechend den Anweisungen in der Betriebsanleitung des Spritzgeräts entlasten.
2. Die Düse aus dem Schlitz des Düsenschutzes entfernen.
3. Die neue Düse in den Schlitz am Düsenschutz einsetzen. Der Pfeil an der Düse muss nach vorn in Sprührichtung zeigen.

## Dichtung und Düsendichtung entfernen

1. Düse und Düsenschutz von der Airless Pistole abbauen.
2. Dichtung und Düsendichtung von der Rückseite des Düsenschutzes entfernen.



**Verschlossene Düsen haben ein schlechteres Spritzbild und führen zu einem erhöhten Materialverbrauch sowie einer geringeren Sprühstrahlbreite. Verschlossene Düsen sofort ersetzen.**

# Reinigung

Eine gründlich gereinigte Airless Pistole ist für den einwandfreien Betrieb unerlässlich. Die Airless Pistole nach jedem Gebrauch spülen und an einer trockenen Stelle aufbewahren. Niemals die Airless Pistole oder Teile davon in Wasser oder Lösungsmitteln liegen lassen.



## **Besondere Reinigungshinweise bei Verwendung entflammbarer Lösungsmittel:**

- Die Airless Pistole stets im Freien und möglichst eine Schlauchlänge von der Spritzpumpe entfernt spülen.
- Werden die zur Spülung verwendeten Lösungsmittel in einem Metallbehälter von etwa 4 l (ca. 1 Gallone) Fassungsvermögen aufgefangen, diesen in einen Behälter mit einem Fassungsvermögen von etwa 20 l (ca. 5 Gallonen) stellen und erst dann weiter spülen.
- Im Arbeitsbereich dürfen sich keine entzündlichen Dämpfe sammeln und es muss für eine gute Belüftung gesorgt werden.
- Alle Reinigungshinweise beachten.



Achtung

**Das Spritzgerät, der Schlauch und die Airless Pistole müssen nach jeder Benutzung gründlich gereinigt werden, da sich ansonsten das verwendete Material festsetzen kann und die Leistung des Geräts erheblich beeinträchtigt.**



**Immer mit dem niedrigstmöglichen Druck sprühen, wenn Düse und Düsenschutz entfernt sind. Zum Reinigen von Airless Pistole, Schlauch und Spritzgerät nur Wasser bzw. ein geeignetes Lösungsmittel verwenden.**

## Wartung

**Vor der Durchführung von Wartungsarbeiten alle Sicherheitshinweise entsprechend dem Abschnitt „Sicherheitshinweise“ in diesem Handbuch beachten.**



**Die Teilenummern finden Sie in der Ersatzteilliste dieses Handbuchs.**

### Dichtung ersetzen bzw. instand halten

Tritt an der Airless Pistole Material aus, obwohl der Abzug nicht gezogen ist, sind die Nadel oder der Nadelsitz verschlissen, beschädigt oder verschmutzt und müssen gereinigt oder ersetzt werden.



**Niemals Wartungsarbeiten an der Airless Pistole ausführen, wenn das System noch unter Druck steht.**

1. Den Materialschlauch von der Airless Pistole trennen.  
Beachten Sie für die nächsten Schritte auch die Abbildung auf Seite 23.
2. Düse und Düsenschutz entfernen.
3. Bei gezogenem Abzug den Diffuser an der Vorderseite der Airless Pistole abbauen.
4. Abdeckschraube (1) mit einem Schlitzschraubendreher abschrauben, Druckfeder (2) entfernen.
5. Mit Steckschlüssel 10 mm die Nadel (3) lösen und aus der Pistole herausziehen.
6. Die ausgebauten Teile gründlich reinigen.
7. Die Teile auf Verschleiß oder Beschädigungen kontrollieren und beim Zusammenbau der Airless Pistole ggf. neue Teile einsetzen.



**Alle Packungen und beweglichen Teile vor dem Zusammenbau mit Lithiumfett schmieren.**

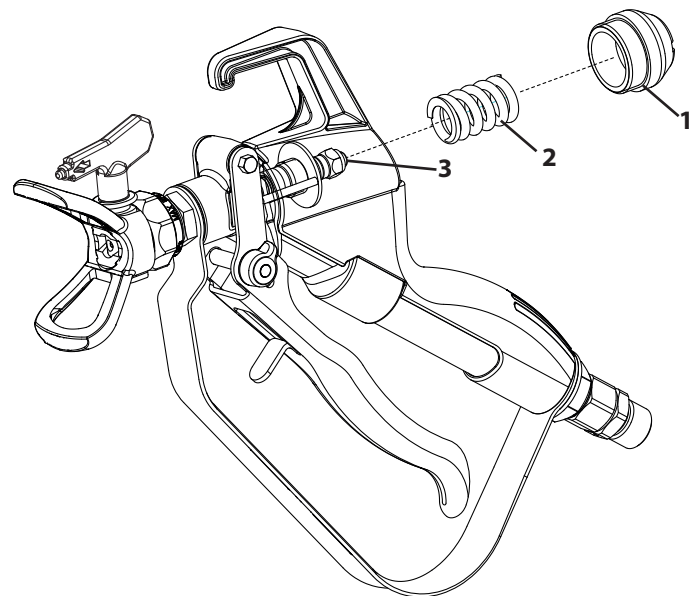
8. Das hintere Gehäuse auf die Rückholstifte schieben und mit der Sicherungsmutter fixieren.
9. Bei gedrücktem Abzug den Diffuser an der Vorderseite des Pistolenkopfes montieren und mit einem Schraubenschlüssel festziehen.
10. Nadel wieder in Pistole einsetzen.
11. Druckfeder (2) einsetzen, Abdeckschraube (1) bis auf Anschlag schrauben.
12. Bei Bedarf Packung wie nachfolgend beschrieben einstellen.

## Nachstellen der Packung



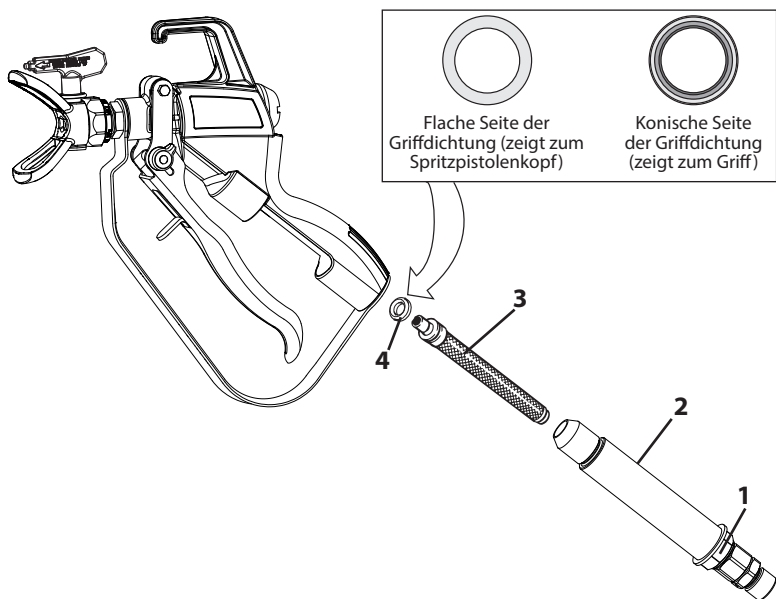
**In der Abdeckschraube (1) befindet sich eine Bohrung. Tritt dort Beschichtungsstoff aus, ist die Packung nachzustellen.**

1. Abdeckschraube (1) mit einem Schlitzschraubendreher abschrauben, Druckfeder (2) entfernen.
2. Mit Steckschlüssel 10 mm Druckplatte eine Viertelumdrehung nach rechts drehen.
3. Druckfeder (2) einsetzen, Abdeckschraube (1) bis auf Anschlag schrauben.



## Filter austauschen und ausbauen

1. Verschraubung (1) mit Schraubenschlüssel lösen und Filtergehäuse (2) und Filter (3) aus Pistole ziehen.
2. Den alten Filter aus dem Filtergehäuse entfernen.
3. Den neuen Filter mit dem schmalen Ende nach oben in das Filtergehäuse einsetzen.
4. Die Griffdichtung (4) mit der flachen Seite zum Pistolenkopf einschieben.
5. Filtergehäuse (3) wieder in Pistole einsetzen und festschrauben.



## EU Konformitätserklärung

Wir erklären in alleiniger Verantwortung, dass dieses Produkt den folgenden einschlägigen Bestimmungen entspricht:

2006/42/EG, 2014/34/EU, 2011/65/EU

Angewandte harmonisierte Normen:

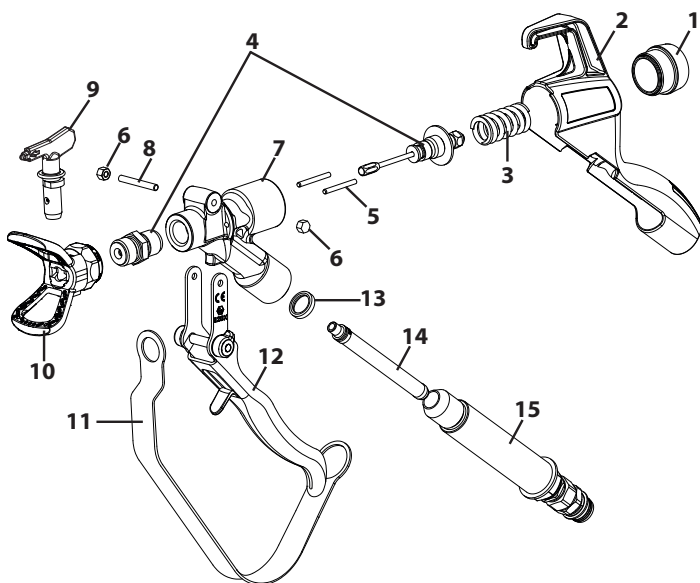
EN ISO 12100, EN 1953, EN ISO 80079-36



Die EU Konformitätserklärung liegt dem Produkt bei. Sie kann bei Bedarf mit der Bestellnummer **2389342** nachbestellt werden.



# Ersatzteilliste



Pos.	Art. Nr.	Bezeichnung
1	0335301 2339659	Abdeckschraube (250 bar) Abdeckschraube (530 bar)
2	2332588	Griffschale
3	2344878 0347335	Druckfeder (250 bar) Druckfeder (530 bar)
4	2347489	Dichtung und Diffuser
5	2332598	Zylinderstift
6	9910403	Hutmutter
7	2343066 2343158	Pistolengehäuse 250 bar Pistolengehäuse 530 bar
8	2343085	Bolzen
9	662-xxx 696-xxx	SC6+ Düse (250 bar) TR High Pressure Düse (530 bar)
10	0289228 661-027	Düsenhalter 250 bar Düsenhalter 530 bar

Pos.	Art. Nr.	Bezeichnung
11	2332605	Schutzbügel
12	2333189	Abzugsbügel kpl.
13	0043303	Griffdichtung
14	0089958 0089957	Pistolenfilter (weiß, 2 Stk.) Pistolenfilter (grün, 2 Stk.)
15	2347490 2347492	Einschraubstück kpl. 250 bar Einschraubstück kpl. 530 bar

## Consignes de sécurité



**Pensez toujours à votre sécurité! Toutes les réglementations nationales et locales concernant l'aération, la prévention des incendies et le fonctionnement doivent être observées.**



### **RISQUE : BLESSURE PAR PROJECTION**

**Un courant de liquide à haute pression produit par cet équipement peut percer la peau et les tissus sous-cutanés, et entraîner des blessures graves ou même une amputation. Consultez immédiatement un médecin.**

**N'ESSAYEZ PAS DE TRAITER UNE BLESSURE PAR PROJECTION COMME UNE SIMPLE COUPURE ! Les blessures par projection peuvent entraîner une amputation. Consultez immédiatement un médecin. Indiquez à votre médecin le type de peinture ou d'agent de nettoyage par lequel la blessure a été provoquée.**

- NE dirigez JAMAIS le pistolet vers une partie du corps, quelle qu'elle soit.
- NE laissez JAMAIS une partie du corps entrer en contact avec le flux de liquide. NE laissez JAMAIS votre corps au contact d'une fuite dans le tuyau de liquide.
- NE placez JAMAIS vos mains devant le pistolet. Les gants ne constituent pas un rempart suffisant contre les blessures par projection.
- NE pointez JAMAIS le pistolet pulvérisateur en direction d'une autre personne.
- Bloquez TOUJOURS la gâchette du pistolet, éteignez la pompe et vidangez toute la pression avant toute opération d'entretien, avant de nettoyer une buse ou une protection, avant de changer une buse ou si vous laissez l'appareil sans surveillance. La pression ne s'évacue pas simplement en éteignant le moteur. La manette d'AMORCEUR/PULVÉRISATEUR doit être placée en position AMORÇAGE pour vidanger la pression. Consultez la PROCÉDURE de décompression décrite dans le manuel de la pompe.
- Conservez TOUJOURS la protection de la buse en place lorsque vous pulvérisiez. La protection de la buse fournit une certaine protection mais il s'agit principalement d'un système d'alarme.
- Enlevez TOUJOURS la buse de pulvérisation avant de rincer ou de nettoyer le système.
- Le tuyau de peinture peut présenter des fuites dues à l'usure, aux pincements et aux mauvaises utilisations. Toute fuite peut entraîner une projection de matériau dans la peau. Vérifiez soigneusement le tuyau avant chaque utilisation.
- N'utilisez JAMAIS un pistolet pulvérisateur sans blocage de gâchette et sans protection de gâchette.
- Tous les accessoires doivent pouvoir travailler à la pression de travail maximale du pulvérisateur ou au-dessus. Ceci concerne les buses de pulvérisation, les pistolets, les rallonges et le tuyau.



## **RISQUE : RISQUE D'EXPLOSION DÙ À DES MATÉRIAUX INCOMPATIBLES**

**- entraîne des blessures graves ou des dégâts matériels**

- N'utilisez pas de matériaux contenant de l'eau de javel ou du chlore.
- N'utilisez pas de solvants à l'hydrocarbure hydrogéné tels que l'eau de javel, les produits anti-moisissure, le chlorure de méthylène et le trichloéthane 1,1,1. Ils ne sont pas compatibles avec l'aluminium.
- Prenez contact avec le fournisseur d'enduits pour plus d'informations concernant la compatibilité du matériau avec l'aluminium.



## **RISQUE : Généralités -**

**peut entraîner des blessures sévères ou des dégâts matériels.**

1. Lisez attentivement toutes les instructions et les consignes de sécurité avant de faire fonctionner l'équipement.
2. Ne pulvérisez jamais à proximité de sources d'ignition : flammes nues, cigarettes (les cigares et pipes sont également des sources d'ignition), étincelles, fils chauds et surfaces chaudes, etc.
3. Portez un équipement de protection des voies respiratoires lors de la pulvérisation. L'opérateur doit porter un masque de protection. Pour prévenir les accidents de travail, il est indispensable de respecter les instructions du fabricant concernant les matériaux, les solvants et les agents nettoyants lors de la préparation, du travail et du nettoyage de l'appareil. Il est nécessaire de porter des vêtements de protection, des protections oculaires et, dans certains cas, une crème de protection de la peau.
4. Suivez attentivement les avertissements et con-signes du fabricant du matériau et du solvant.
5. Un équipement d'extraction doit être installé par l'utilisateur conformément aux réglementations locales en vigueur.
6. Les objets à pulvériser doivent être reliés à la masse.
7. VAvant chaque utilisation, vérifiez que les tuyaux ne présentent ni coupures, ni fuites, ni signes d'abrasion ou de renflement du revêtement. Vérifiez l'état et le mouvement des raccords. Remplacez immédiatement les tuyaux s'ils sont en mauvais état. Ne réparez jamais un tuyau de peinture ; remplacez-le par un tuyau à haute pression relié à la masse.
8. Lorsque vous appuyez sur la détente, il se produit un mouvement de recul de la main qui tient le pistolet pulvérisateur. Le recul du pistolet pulvérisateur est particulièrement puissant lorsque la buse a été démontée et lorsque la pompe sans air à haute pression a été réglée sur une pression élevée. Par conséquent, lors du nettoyage sans buse, réglez la valve de contrôle de la pression sur la pression minimale.
9. N'utilisez que des pièces de rechange d'origine. L'utilisateur assume tous les risques s'il utilise des pièces qui ne correspondent pas aux spécifications minimales et aux dispositifs de sécurité du fabricant de la pompe.



## IDENTIFICATION DE LA PROTECTION CONTRE LES RISQUES D'EXPLOSION

### Marquage X :

Le pistolet pulvérisateur correspond à la norme Ex II 2G c IIC T6 X et est, conformément à la Directive 2014/34 UE, apte à être utilisé dans des zones explosives (type Zone 1). Sous certaines circonstances, l'appareil lui-même peut entraîner le classement en Zone 1 d'un local.

Toute décharge d'électricité statique du pistolet pulvérisateur doit être dérivée vers la pompe à haute pression reliée à la masse par le tuyau conducteur à haute pression, comme indiqué.

La température superficielle maximale correspond à la température admissible du produit. Ces dernières ainsi que la température ambiante admissible sont indiquées au chapitre « Caractéristiques techniques ».

Pour être certain que la machine ne produise d'étincelles, évitez les chocs et tout travail sur l'unité avec des outils dans la zone explosive.

## RISQUES RÉSIDUELS

Les risques résiduels sont des risques qui ne peuvent être exclus, même lorsque l'équipement est utilisé aux fins prévues.

Dans de tels cas, les endroits affectés par les risques résiduels seront indiqués à l'aide d'avertissements et/ou de panneaux d'interdiction.

Risque	Source / Cause	Incidence	Mesures préventives	Peut survenir pendant :
Blessure par injection	Flot de produit pulvérisé à haute pression	Blessure grave ou amputation	Ne JAMAIS pointer le pistolet vers une partie du corps	Montage, utilisation
Explosion ou incendie	Électricité statique ou étincelles	Blessure grave	Utiliser le pistolet dans un endroit bien aéré Mettre à la terre le pistolet de pulvérisation	Utilisation
Vapeurs dangereuses	Vapeurs dangereuses du produit à pulvériser	Blessure grave	Utiliser le pistolet dans un endroit bien aéré Se servir d'un masque	Utilisation

# Caractéristiques techniques

	M-4	M-8
<b>Pression de travail max.</b>	25 MPa (250 bar, 3600 PSI)	53 MPa (530 bar, 7700 PSI)
<b>Taille du filetage d'entrée du matériau</b>	3/8" NPS	1/4" NPS
<b>Taille du filetage du diffuseur</b>	7/8" NPS	7/8" NPS
<b>Matériau des pièces mouillées</b>	Acier fin, aluminium, PTFE, métal dur.	
<b>Température de travail</b>	5°C à 40°C (41°F à 104°F)	
<b>Température maximale du matériau</b>	43°C (109°F)	
<b>Poids (buse et support de buse cpl. inclus)</b>	680 g (1,5 lbs)	

## Introduction

Le pistolet pulvérisateur sans air est conçu pour pulvériser à haute pression des matériaux de revêtement liquides.

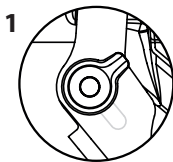
La version 250 bars est particulièrement adaptée à l'application de mastic pulvérisable.

La version 530 bars est recommandée pour les applications Protective Coating et pour une utilisation avec toutes les pompes donnant une pression élevée adaptée.

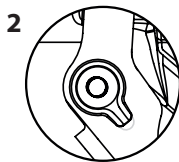
## Utilisation du blocage de la détente du pistolet

Engagez toujours le blocage de la détente du pistolet lorsque le pistolet n'est pas utilisé.

1. Pour verrouiller la gâchette, tourner le verrouillage de la gâchette vers le haut jusqu'à la butée.
2. Pour déverrouiller la gâchette, tourner le verrouillage de la gâchette vers le bas.



Gâchette bloquée  
(le pistolet ne pulvérise pas)



Gâchette débloquée  
(le pistolet pulvérise)

## Filtre de pistolet



Aucun filtre de pistolet n'est prémonté sur l'M-4/M-8. En fonction du produit appliqué, il est recommandé d'utiliser un filtre de pistolet adapté à la buse.

**Attention :** Pour l'application de mastic pulvérisable et de matériaux similaires, il convient de n'utiliser aucun filtre de pistolet, car cela boucherait le filtre.

## Installation

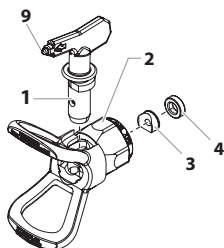


N'essayez jamais de monter, changer, ou nettoyer le pistolet, la buse ou la protection de la buse sans avoir déchargé la pression du système de pulvérisation. Respectez la « Procédure de décharge de pression » indiquée dans le Manuel d'utilisateur du pistolet pulvérisateur sans air.



Utilisez toujours un système de protection de la buse pour plus de sécurité. Sachez que la protection seule n'évite pas les blessures par projection. Ne découpez jamais la protection de la buse ! Engagez toujours le blocage de la détente du pistolet lorsque le pistolet n'est pas utilisé. Avant d'entretenir l'équipement, consultez les Manuels d'utilisateur et respectez tous les avertissements.

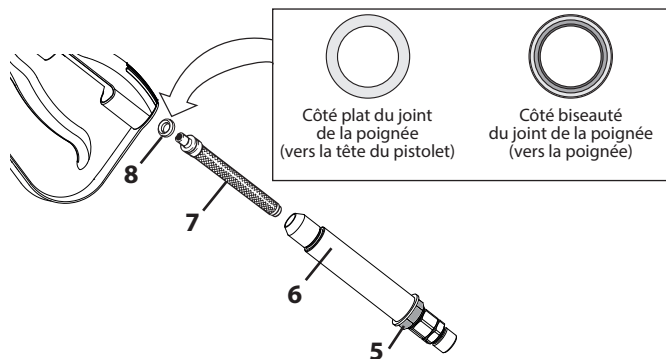
1. Retirer la buse (1) et sa protection (2) du pistolet Airless.
2. Avec la pointe (9) sur la poignée de la buse, installer et presser la garniture d'étanchéité de la buse (3) et le joint d'étanchéité (4) dans la partie arrière de la protection de la buse.
3. Installer la buse (1) dans l'orifice présent sur la protection de la buse.



4. Revisser la protection de la buse sur le pistolet Airless. Installer et serrer la protection de la buse dans le sens de pulvérisation souhaité.



La flèche indiquée sur la poignée de la buse doit être dirigée dans la direction de pulvérisation, vers l'avant.



5. Desserrer le raccord à vis (5) avec la clé et retirer le corps du filtre (6) et le filtre (7) du pistolet.
6. Placer le filtre de pistolet (7) adapté dans le corps du filtre (6) (extrémité étroite du filtre vers le haut).
7. Placez le joint de la poignée (8) dans la tête du pistolet avec la partie plate du joint vers la tête du pistolet.
8. Réinstaller et revisser le corps du filtre (6) dans le pistolet.
9. Raccorder un tuyau à haute pression original de Titan adapté à la pression sur l'arrivée du produit du pistolet Airless. À l'aide de deux clés (une sur le pistolet et une sur le tuyau), serrez fermement.



**Avant de raccorder le pulvérisateur Airless, vérifiez que toutes les pièces du pistolet et le tuyau flexible sont bien serrés et vissés.**

## Fonctionnement

1. Assurez-vous que la flèche indiquée sur la poignée de la buse pointe bien dans la direction de pulvérisation, vers l'avant.
2. Faites démarrer le pulvérisateur. Consultez les instructions du Manuel d'utilisateur du pulvérisateur.
3. Réglez la pression du liquide sur le pulvérisateur jusqu'à ce que le produit soit complètement pulvérisé. Pulvérisez toujours à la pression minimale nécessaire pour obtenir les résultats souhaités.



**La buse de pulvérisation détermine la taille du schéma et de la couverture de pulvérisation. Si vous avez besoin d'une couverture plus importante, utilisez une buse plus grande plutôt que d'augmenter la pression du liquide.**

4. Pour déboucher une buse obstruée :
  - a. Faites tourner la buse de 180° afin que la flèche dessinée sur la poignée pointe dans la direction de pulvérisation opposée.
  - b. Appuyez une fois sur la détente du pistolet pour que la pression débouche la buse.



Attention

**N'appuyez jamais deux fois de suite sur la détente lorsque la buse est dans la position inversée.**

- c. Continuez jusqu'à ce que la buse soit débouchée.

## Remplacement de la buse

Buses peut être enlevé et remplacé facilement sans démontage de la goupille.

## Identification des tailles de buse

Pour identifier les tailles de buse, utilisez la formule suivante : une taille de buse « 517 » est utilisée dans cet exemple.

Le premier chiffre multiplié par deux représente la taille du schéma de pulvérisation lorsque vous pulvérisez à une distance d'environ 30 cm (12") de la surface de travail :

$5 \times 2 = 10''$  (25,4 cm) schéma de pulvérisation

Les deux chiffres suivants représentent le diamètre de l'orifice de la buse :

$17 = .017''$  (0,043 mm) orifice



**Ne jamais tenter de changer ou de nettoyer la buse ou le déflecteur sans d'abord suivre la « procédure de décompression ».**

1. Exécutez la « Procédure de décharge de pression » indiquée dans le Manuel d'utilisateur.
2. Démontez la buse de l'encoche de la protection de buse.
3. Insérez la nouvelle buse dans l'encoche de la protection de buse. La flèche indiquée sur la poignée de la buse doit être dirigée dans la direction de pulvérisation, vers l'avant.

## Démontage du joint et du joint de la buse

1. Démontez la buse et la protection de la buse du pistolet pulvérisateur.
2. Démontez le joint et le joint de la buse situé à l'arrière de la protection de la buse.



**Des buses usées donnent un résultat de pulvérisation moins bon et conduisent à une augmentation de la consommation de produit, ainsi qu'à une largeur de jet plus réduite. Remplacez immédiatement les buses usées.**



## Nettoyage

Il est indispensable pour le bon fonctionnement que le pistolet Airless soit soigneusement nettoyé. Rincez le pistolet après chaque utilisation et rangez-le dans un endroit sec. Ne laissez pas le pistolet ou une de ses pièces dans de l'eau ou des solvants.



### **Consignes spéciales de nettoyage lors de l'utilisation avec des solvants inflammables :**

- Rincez toujours le pistolet pulvérisateur de préférence à l'extérieur et au moins à une longueur de tuyau de la pompe de pulvérisation.
- Si vous recueillez les solvants vidangés dans un conteneur en métal de 4 litres (environ 1 gallon), placez celui-ci dans un conteneur vide de 20 litres (environ 5 gallons), puis vidangez les solvants.
- Aucune vapeur inflammable ne doit s'accumuler dans la zone de travail et il faut veiller à bien aérer.
- Respectez toutes les consignes de nettoyage.



Attention

**Le pulvérisateur, le tuyau flexible et le pistolet Airless doivent être nettoyés soigneusement après chaque utilisation, car le produit utilisé peut adhérer et compromettre la performance de l'appareil.**



**Toujours pulvériser avec la pression la plus faible possible lorsque la buse et la protection de la buse sont retirées. Pour nettoyer le pistolet Airless, le tuyau flexible et le pulvérisateur, utiliser uniquement de l'eau ou un solvant adapté.**

## Entretien

Respectez attentivement toutes les consignes de sécurité du paragraphe  
Consignes de sécurité de ce manuel avant de travailler.



**Consultez le chapitre « Liste de pièces de rechange » de ce manuel pour identifier toutes les pièces.**

### Remplacement / Entretien du joint

Si du produit s'échappe du pistolet Airless, sans que la gâchette ne soit actionnée, il se peut que l'aiguille ou le siège de l'aiguille soit usé(e), endommagé(e) ou encrassé(e) et qu'il soit nécessaire de procéder à son nettoyage ou remplacement.



**N'essayez jamais d'entretenir le pistolet pulvérisateur si vous n'avez pas d'abord réalisé la « Procédure de décharge de la pression ».**

1. Séparer le flexible de produit du pistolet Airless.  
Tenez également compte de l'illustration à la page 35 pour les étapes suivantes.
2. Démontez la buse et la protection de la buse.
3. Avec la détente enfoncée, enlevez le diffuseur de l'avant du pistolet.
4. Dévisser la vis de recouvrement (1) avec un tournevis plat, retirer le ressort de pression (2).
5. Desserrer l'aiguille (3) avec une clé à pipe 10 mm et la retirer du pistolet.
6. Nettoyer soigneusement la pièce démontée.
7. Contrôlez les pièces pour vérifier qu'elles ne sont pas usées et utilisez de nouvelles pièces pendant le remontage du pistolet, au besoin



**Lubrifiez toutes les garnitures et les pièces mobiles avant de remonter l'ensemble avec de la graisse à base de lithium.**

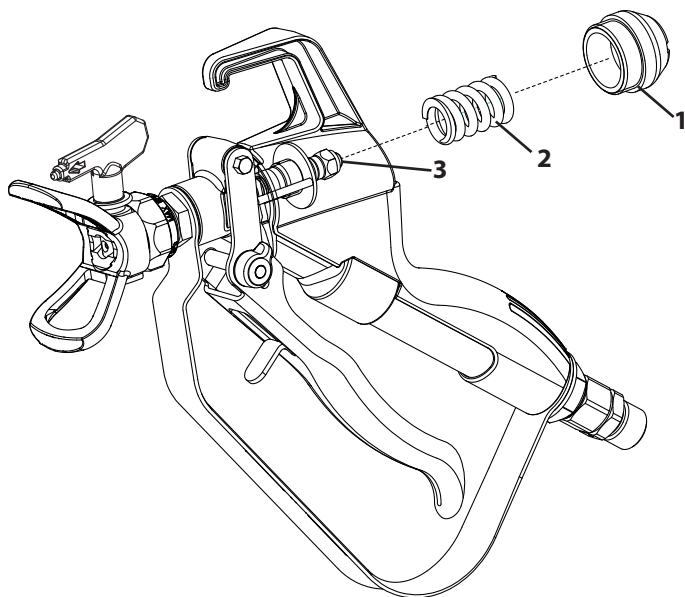
8. Faites glisser le carter arrière sur les goupilles de rétraction et bloquez-le grâce à l'écrou de blocage.
9. Avec la détente enfoncée, installez le diffuseur à l'avant de la tête du pistolet et serrez fermement à l'aide d'une clé.
10. Réinstaller l'aiguille dans le pistolet.
11. Remettre le ressort (2) en place et visser l'embout (1) en butée.
12. Si nécessaire, régler la garniture comme décrit ci-après.

## Ajustage de la garniture d'étanchéité



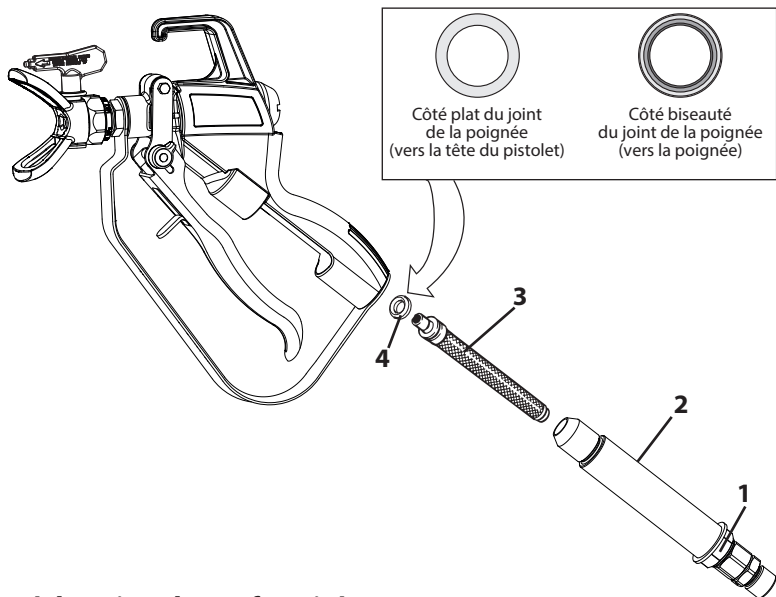
L'embout vissé (1) comporte un perçage. Si le produit sort à cet endroit, il y a lieu d'ajuster la garniture d'étanchéité.

1. Dévisser la vis de recouvrement (1) avec un tournevis plat, retirer le ressort de pression (2).
2. Avec une clé à pipe 10 mm, tourner la plaque de pression d'un quart de tour à droite.
3. Remettre le ressort (2) en place et visser l'embout (1) en butée.  
Si la fuite persiste, prière de vous adresser à votre S.A.V. Titan.



## Remplacement / Démontage du filtre

1. Desserrer le raccord à vis (1) avec la clé et retirer le corps du filtre (2) et le filtre (3) du pistolet.
2. Retirer l'ancien filtre du corps du filtre.
3. Insérer le nouveau filtre avec l'extrémité étroite vers le haut dans le corps du filtre.
4. Placez le joint de la poignée (4) dans la tête du pistolet avec la partie plate du joint vers la tête du pistolet.
5. Réinstaller et revisser le corps du filtre (3) dans le pistolet.



## Déclaration de conformité UE

Nous déclarons sous notre responsabilité que ce produit est en conformité avec les réglementations suivantes:

2006/42/CE, 2014/34/UE, 2011/65/UE

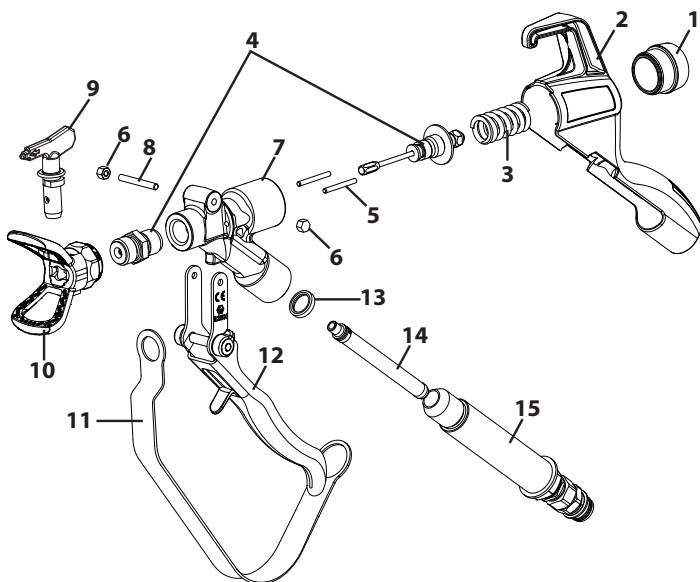
Conforme aux normes et documents normalisés:

EN ISO 12100, EN 1953, EN ISO 80079-36



La déclaration de conformité UE est jointe à ce produit. Elle peut être commandée au besoin sous le numéro de commande **2389342**.

# Liste de pièces de rechange



N°	Référence	Désignation	N°	Référence	Désignation
1	0335301 2339659	Vis d'obturation (250 bar) Vis d'obturation (530 bar)	9	662-xxx 696-xxx	Buse SC6+ (250 bar) Buse TR High Pressure (530 bar)
2	2332588	Poignée	10	0289228 661-027	Support de buse (250 bar) Support de buse (530 bar)
3	2344878 0347335	Ressort de compression (250 bar) Ressort de compression (530 bar)	11	2332605	Arceau de protection
4	2347489	Joint et diffuseur	12	2333189	Gâchette cpl.
5	2332598	Goupille cylindrique	13	0043303	Joint de poignée
6	9910403	Écrou borgne	14	0089958 0089957	Filtere (blanc, 2 unités) Filtere (vert, 2 unités)
7	2343066 2343158	Corps du pistolet 250 bar Corps du pistolet 530 bar	15	2347490 2347492	Pièce vissée cpl. (250 bar) Pièce vissée cpl. (530 bar)
8	2343085	Goujon			

## Precauciones de seguridad



**¡Preocúpese por la seguridad! Deben cumplirse todos los reglamentos locales y nacionales relativos a ventilación, prevención de incendios y funcionamiento.**



**PELIGRO: Lesión causada por inyección**

**La corriente a alta presión que produce este equipo puede perforar la piel y tejidos subcutáneos, pudiendo provocar graves lesiones y posibles amputaciones. Vea a un médico inmediatamente.**

**¡NO TRATE UNA LESIÓN CAUSADA POR INYECCIÓN COMO UN SIMPLE CORTE! La inyección puede provocar amputaciones. Vea a un médico inmediatamente. Informe al médico del tipo de material o producto de limpieza con el que se ha producido la lesión.**

- NUNCA dirija la pistola a ninguna parte del cuerpo.
- NUNCA toque con ninguna parte del cuerpo la corriente de líquido. NO toque con ninguna parte del cuerpo ninguna fuga en la manguera de líquido.
- NUNCA ponga la mano delante de la pistola. Los guantes no serán protección suficiente contra una lesión por inyección.
- NUNCA apunte con la pistola pulverizadora hacia nadie.
- Ponga SIEMPRE el seguro del gatillo de la pistola, cierre la bomba y libere toda la presión antes de realizar labores de mantenimiento y reparación, limpiar la boquilla o el protector, cambiar la boquilla o dejar de usarla. La presión no se descargará apagando el motor. La válvula PRIME/SPRAY (cebar/pulverizar) debe estar en PRIME para liberar la presión. Consulte el PROCEDIMIENTO PARA LIBERAR LA PRESIÓN descrito en el manual de la bomba.
- Mantenga SIEMPRE el protector de la boquilla en su sitio mientras pulveriza. El protector de la boquilla ofrece cierta protección pero principalmente se trata de un dispositivo de advertencia.
- Quite SIEMPRE la boquilla pulverizadora antes de enjuagar o limpiar el sistema.
- En la manguera de pintura pueden aparecer fugas a causa del desgaste, de retorcimientos o de un mal uso. Una fuga puede proyectar material hacia la piel. Revise siempre la manguera antes de usarla.
- NUNCA use una pistola pulverizadora si el seguro del gatillo no funciona o si la protección del mismo no está en su sitio.
- Todos los accesorios deben cumplir o superar las especificaciones nominales para la gama de presiones de funcionamiento del pulverizador a alta presión. Esto incluye boquillas pulverizadoras, extensiones y manguera.



**PELIGRO: El peligro de explosiones a causa de materiales incompatibles**

**Puede provocar lesiones graves o daños materiales.**

- No use materiales que contengan lejía o cloro.
- No use disolventes de hidrocarburo halogenado, como, por ejemplo, lejía, fungicida, cloruro de metileno y 1,1,1-tricloroetano. No son compatibles con el aluminio.
- Contacte con su proveedor para conocer la compatibilidad del material con el aluminio.



**PELIGRO: General**

**Pueden producirse lesiones graves o daños materiales.**

1. Lea todas las instrucciones y precauciones de seguridad antes de utilizar el equipo.
2. No pulverice nunca cerca de fuentes de ignición, p. ej., llamas desnudas, cigarrillos — los puros y pipas también son fuentes de ignición —, chispas, hilos y superficies calientes, etc.
3. Utilice equipo respiratorio cuando pulverice con la pistola. Debe facilitarse al operario una mascarilla protectora. Con el fin de evitar enfermedades relacionadas con el trabajo, debe cumplirse el reglamento del fabricante relativo a los materiales, disolventes y productos de limpieza utilizados al preparar, utilizar y limpiar el aparato. Es necesaria ropa de protección, guantes, gafas protectoras y, en ciertos casos, crema para proteger la piel.
4. Siga las instrucciones y advertencias del fabricante del material o disolvente.
5. El usuario debe instalar un equipo de extracción con arreglo a las normativas locales.
6. Deben ponerse a tierra los objetos sobre los que se va a pulverizar.
7. Cada vez que vaya a utilizar el equipo, compruebe antes todas las mangueras en busca de cortes, fugas, abrasión o bultos en la cubierta. Compruebe el movimiento de los acoplamientos y si están dañados. Sustituya inmediatamente una manguera si descubre alguna de estas anomalías. No repare nunca una manguera de pintura. Sustitúyala por otra manguera a alta presión puesta a tierra.
8. Al apretar el gatillo, la mano que sujeta la pistola pulverizadora experimenta una fuerza de retroceso. La fuerza de retroceso de la pistola pulverizadora es especialmente fuerte cuando se quita la boquilla y se selecciona una presión alta para la bomba de alta presión. Así pues, cuando vaya a limpiar la boquilla, ponga la válvula de control de presión al mínimo.
9. Emplee solamente piezas autorizadas por el fabricante. El usuario asumirá todos los riesgos y toda la responsabilidad cuando utilice piezas que no cumplan con las especificaciones mínimas y dispositivos de seguridad del fabricante de la pistola pulverizadora.



### Marcado X:

La pistola pulverizadora se corresponde con la Ex II 2G c IIC T6 X y es, según la Directiva 2014/34 UE, adecuada para utilizarse en zonas con riesgo de explosiones, como las del tipo Zona 1. En determinadas circunstancias, el aparato mismo puede hacer que entre en vigor la condición de Zona 1.

Cualquier descarga electrostática de la pistola pulverizadora ha de desviarse a la bomba de alta presión puesta a tierra por medio de la manguera conductora de alta presión, tal como está estipulado.

La temperatura máxima de la superficie corresponde a la temperatura admisible del material. Ésta y la temperatura ambiente admisible figuran en el capítulo „Datos técnicos“.

Para que no se produzcan chispas de la máquina, evite esfuerzos de impacto y cualquier trabajo en el aparato con herramientas si se encuentra en una zona con riesgo de explosiones.

## RIESGOS RESIDUALES

Los riesgos residuales son riesgos que no se pueden excluir, incluso cuando el equipo se usa para el propósito para el que fue diseñado.

En tales casos, las áreas correspondientes a áreas de riesgos residuales se indicarán por medio de señales de advertencia o de prohibición.

Riesgo	Fuente o causa	Impacto	Medidas preventivas	Se puede producir durante:
Lesión por inyección	Corriente de líquido atomizado a alta presión	Lesión grave o amputación	NUNCA apunte la pistola a ninguna parte del cuerpo	Configuración, funcionamiento
Explosión o incendio	Electricidad estática o chispas	Lesión grave	Use en un área bien ventilada Conecte la pistola pulverizadora a tierra	Operación
Vapores peligrosos	Vapores peligrosos del material de pulverización	Lesión grave	Use en un área bien ventilada Use una máscara	Operación



## Datos técnicos

	M-4	M-8
<b>Presión máxima de funcionamiento</b>	25 MPa (250 bar, 3600 PSI)	53 MPa (530 bar, 7700 PSI)
<b>Tamaño de rosca de la toma de material</b>	3/8" NPS	1/4" NPS
<b>Tamaño de rosca del difusor</b>	7/8" NPS	7/8" NPS
<b>Material de piezas húmedas</b>	Acero de calidad, aluminio, PTFE, metal duro	
<b>Gama de temperaturas de funcionamiento</b>	5°C - 40°C (41°F - 104°F)	
<b>Temperatura máxima del material</b>	43°C (109°F)	
<b>Peso (compl. con portaboquillas y boquilla)</b>	680 g (1,5 lbs)	

## Introducción

Esta pistola pulverizadora a alta presión sirve para la atomización a alta presión de materiales líquidos para pintar.

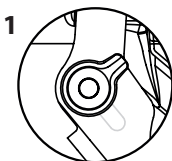
La versión de 250 bar es particularmente apropiada para el procesamiento de masilla de pistola.

La versión de 530 bar se recomienda para aplicaciones de Protective Coating y para el uso con todas las bombas que generen una presión correspondientemente alta.

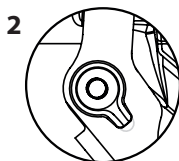
## Utilización del seguro del gatillo de la pistola

Ponga siempre el seguro del gatillo cuando no esté usando la pistola.

1. Para bloquear el gatillo, girar el seguro del gatillo hacia arriba hasta el tope.
2. Para desbloquear el gatillo, girar el seguro del gatillo hacia abajo.



Gatillo bloqueado (la pistola no pulveriza)



Gatillo desbloqueado (la pistola sí pulveriza)

## Filtro de pistola



En el modelo M-4 / M-8 no está premontado ningún filtro de pistola. En función del material a procesar conviene utilizar un filtro de pistola adaptado a la boquilla.

**Atención:** Al procesar masilla de pistola y materiales similares no se debe utilizar ningún filtro de pistola, ya que éste quedaría atascado.

## Configuración

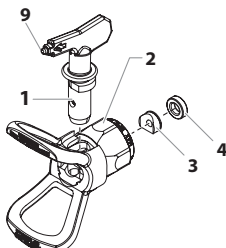


No intente nunca montar, cambiar o limpiar la pistola, ni la boquilla ni el protector de la boquilla sin liberar antes la presión del sistema de pulverización. Siga el "Procedimiento para liberar presión" descrito en el manual del propietario del pulverizador.



Use siempre un protector de seguridad para tener mayor protección contra las inyecciones. Tenga en cuenta que el protector solo no impedirá la inyección. ¡No corte nunca el protector de la boquilla! Ponga siempre el seguro del gatillo cuando no esté usando la pistola. Antes de realizar labores de mantenimiento y reparación en el equipo, consulte los manuales de usuario y tenga en cuenta todas las advertencias.

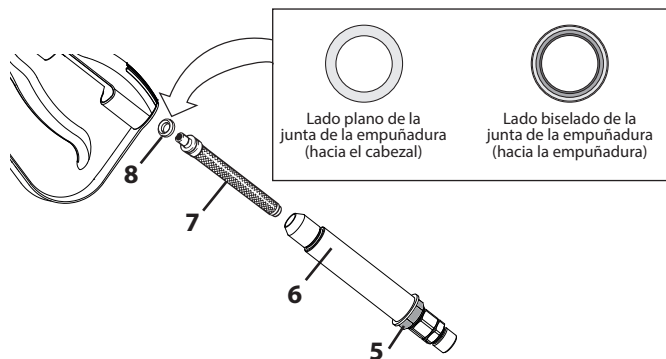
1. Retirar la boquilla (1) y el protector de boquilla (2) de la pistola airless.
2. Con la punta (9) en el mango de la boquilla, insertar la junta de boquilla (3) y la junta (4) en la parte posterior del protector de boquilla (2) y apretar.
3. Insertar la boquilla (1) en el orificio en el protector de boquilla.



4. Enroskar el protector de boquilla en la pistola airless. Posicionar el protector de boquilla en la dirección de proyección deseada y apretarlo.



**La flecha de la empuñadura de la boquilla debe apuntar directamente al punto que se va a pulverizar.**



5. Aflojar la atornilladura (5) con una llave de tuercas y retirar la caja de filtro (6) y el filtro (7) de la pistola.
6. Insertar un filtro de pistola apropiado (7) en la caja de filtro (6) (el extremo estrecho del filtro apunta hacia arriba).
7. Coloque la junta de la empuñadura (8) en el cabezal de la pistola con el lado plano de la junta mirando hacia el cabezal.
8. Volver a insertar la caja de filtro (6) en la pistola y atornillarla.
9. Conectar una manguera de alta presión original de Titan apropiada para la presión a la entrada de material de la pistola airless. Use dos llaves (una para la pistola y la otra para la manguera) y apriete firmemente.



**Antes de la conexión al equipo de pulverización airless, compruebe que todos los elementos de la pistola y la manguera están atornillados firme y seguramente.**

## Funcionamiento

1. Asegúrese de que la flecha de la empuñadura de la boquilla apunta directamente al punto que se va a pulverizar.
2. Ponga en funcionamiento el pulverizador. Consulte las instrucciones del manual de usuario del pulverizador.
3. Regule la presión de líquido del pulverizador hasta que se haya atomizado por completo la sustancia. Pulverice siempre con la mínima presión necesaria para conseguir el resultado deseado.



**La boquilla de pulverización determina el tamaño del patrón de pulverización y de su alcance. Si necesita un mayor alcance, utilice una boquilla más grande en vez de aumentar la presión de líquido.**

4. Para limpiar una boquilla taponada:
  - a. Gire la boquilla 180° de modo que la flecha de la empuñadura de la boquilla apunte hacia la dirección contraria de pulverización.
  - b. Apriete una vez el gatillo de la pistola para que la presión desatasque la obstrucción.



**Nunca apriete el gatillo más de una vez estando la boquilla al revés.**

Atención

- c. Repita este procedimiento hasta eliminar la obstrucción de la boquilla.

## Cambio de boquilla

Las boquillas pueden quitarse y sustituirse fácilmente sin tener que desmontar la pistola.

### Identificación de tamaños de boquillas

Para identificar los tamaños de las boquillas, use la siguiente fórmula. En este ejemplo se empleará un tamaño de boquilla "517".

El primer dígito multiplicado por dos representa el tamaño del patrón de pulverización al pulverizar a 12" (unos 30 cm) de la superficie de trabajo:

$$5 \times 2 = \text{patrón de pulverización de } 10'' \text{ (25,4 cm)}$$

Los otros dos dígitos representan el diámetro del orificio de la boquilla:

$$17 = \text{orificio de } 0,017'' \text{ (0,043 cm)}$$



**Nunca intente cambiar o limpiar la boquilla o el protector de la misma sin realizar antes el "Procedimiento para liberar presión".**

1. Ejecute el "Procedimiento para liberar presión" descrito en el manual de usuario del pulverizador.
2. Quite la boquilla de la ranura de su protector.
3. Introduzca la nueva boquilla en la ranura del protector. La flecha de la empuñadura de la boquilla debe apuntar directamente al punto que se va a pulverizar.

### Desmontaje de la junta de estanqueidad y de la junta de la boquilla

1. Desmonte de la pistola pulverizadora la boquilla y el protector.
2. Quite la junta de estanqueidad y la junta de la boquilla de la parte posterior del protector de la boquilla.



**Las boquillas desgastadas producen un esquema de proyección deficiente, aumentan el consumo de material y reducen el ancho del chorro de pulverización. Sustituya las boquillas desgastadas de inmediato.**

## Limpieza

Para el funcionamiento correcto es imprescindible que la pistola airless haya sido limpiada a fondo. Enjuague la pistola cada vez que la use y guárdela en un lugar seco. No deje la pistola ni ninguna de sus piezas en agua o disolventes.



### **Instrucciones especiales de limpieza a seguir con disolventes inflamables:**

- Enjuague siempre la pistola pulverizadora preferiblemente fuera y, al menos, a la distancia de una manguera respecto a la bomba de pulverización.
- Si recoge disolventes ya usados en un recipiente de metal de unos 4 litros (aprox. 1 galón), colóquelo en un recipiente vacío de 20 litros (aprox. 5 galones), a continuación enjuague con disolventes.
- En el área de trabajo no se deben acumular vapores inflamables y se debe asegurar una ventilación correcta.
- Siga todas las instrucciones de limpieza.



Atención

**El equipo de pulverización, la manguera y la pistola airless se tienen que limpiar a fondo después de cada uso; de lo contrario, el material utilizado puede solidificarse y perjudicar considerablemente el rendimiento del equipo.**



**Pulverizar siempre con la presión más baja posible si se han quitado la boquilla y el protector de boquilla. Utilizar únicamente agua o un disolvente apropiado para limpiar la pistola airless, la manguera y el equipo de pulverización.**

## Mantenimiento

Antes de continuar, siga todas las precauciones de seguridad tal como se describe en el apartado Precauciones de seguridad del presente manual.



Consulte el apartado Lista de piezas del presente manual para identificar los componentes.

## Sustitución/mantenimiento y reparación del conjunto de estanqueidad

Si sale material por la pistola airless a pesar de que no esté accionado el gatillo, la aguja o el asiento de la aguja están desgastados, dañados o sucios y se tienen que limpiar o sustituir.



**No intente nunca realizar labores de mantenimiento en la pistola pulverizadora sin realizar antes el “Procedimiento para liberar presión”.**

1. Separar la manguera de material de la pistola airless.  
Para los siguientes pasos, observe también la figura en página 47.
2. Desmonte la boquilla y el protector de la misma.
3. Con el gatillo presionado, desmonte el difusor de la parte delantera de la pistola.
4. Desenroscar el tornillo de cubierta (1) con un destornillador para tornillos de cabeza ranurada y quitar el muelle de compresión (2).
5. Soltar la aguja (3) con una llave de vaso de 10 mm y retirarla de la pistola.
6. Limpiar a fondo los elementos desmontados.
7. Compruebe si las piezas están desgastadas o dañadas y utilice piezas nuevas cuando vuelva a montar la pistola, si fuera necesario.



**Lubrique con una grasa al litio todas las empaquetaduras y piezas móviles antes de volver a montar.**

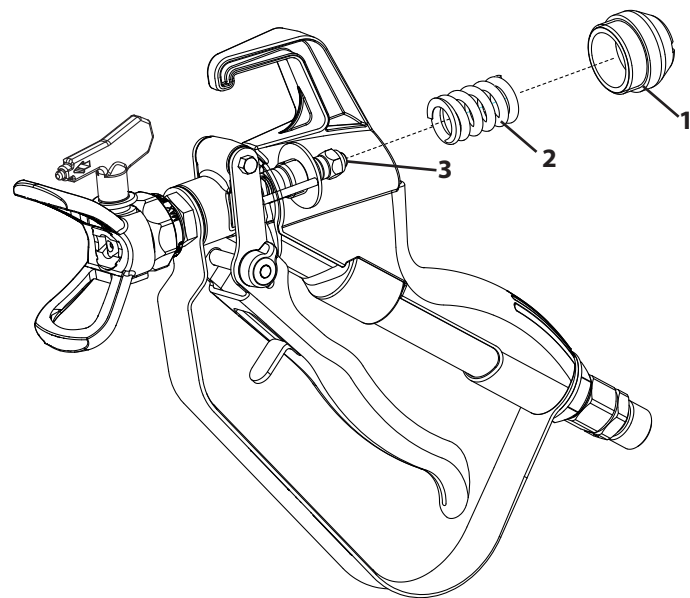
8. Deslice el alojamiento trasero por los pasadores retráctiles y sujételo en su sitio con la contratuerca.
9. Con el gatillo presionado, monte el difusor en la parte delantera del cabezal de la pistola y apriételo firmemente con una llave.
10. Volver a insertar la aguja en la pistola.
11. Poner el muelle de presión (2) y enroscar el tapón de rosca (1) hasta el tope.
12. Si es necesario, ajustar la empaquetadura de la manera que se describe a continuación.

## Reajustar el manguito de estanqueidad



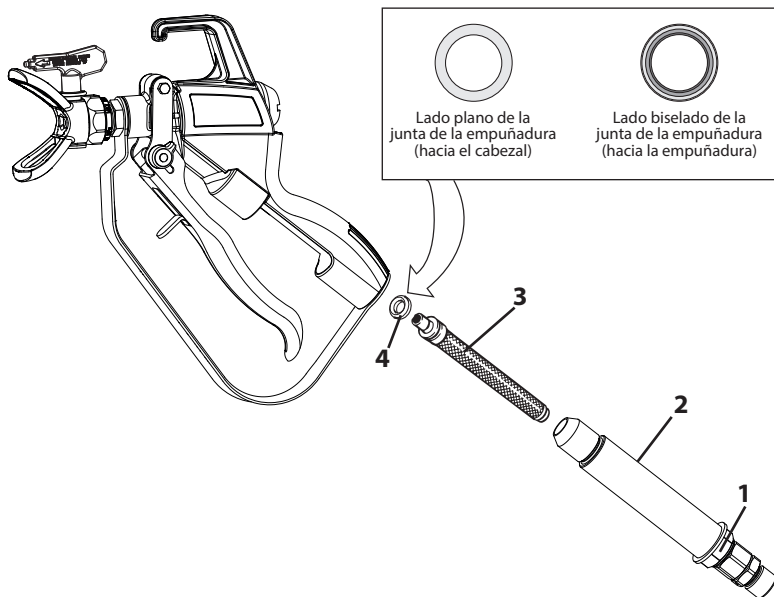
El tapón de rosca (1) tiene una perforación. Si el material de recubrimiento se escapa a través de esta, se deberá reajustar el manguito de estanqueidad.

1. Desenroscar el tornillo de cubierta (1) con un destornillador para tornillos de cabeza ranurada y quitar el muelle de compresión (2).
2. Girar con llave de tubo 10 mm la placa de presión un cuarto de vuelta a la derecha.
3. Poner el muelle de presión (2) y enroscar el tapón de rosca (1) hasta el tope.



## Sustitución/desmontaje del filtro

1. Aflojar la atornilladura (1) con una llave de tuercas y retirar la caja de filtro (2) y el filtro (3) de la pistola.
2. Retirar el filtro usado de la caja de filtro.
3. Insertar el filtro nuevo con el extremo estrecho hacia arriba en la caja de filtro.
4. Coloque la junta de la empuñadura (4) en el cabezal de la pistola con el lado plano de la junta mirando hacia el cabezal.
5. Volver a insertar la caja de filtro (3) en la pistola y atornillarla.



## Declaración UE de conformidad

Mediante la presente garantizamos, bajo nuestra exclusiva responsabilidad, que este producto cumple con las correspondientes disposiciones:

2006/42/CE, 2014/34/UE, 2011/65/UE

Normas armonizadas aplicadas:

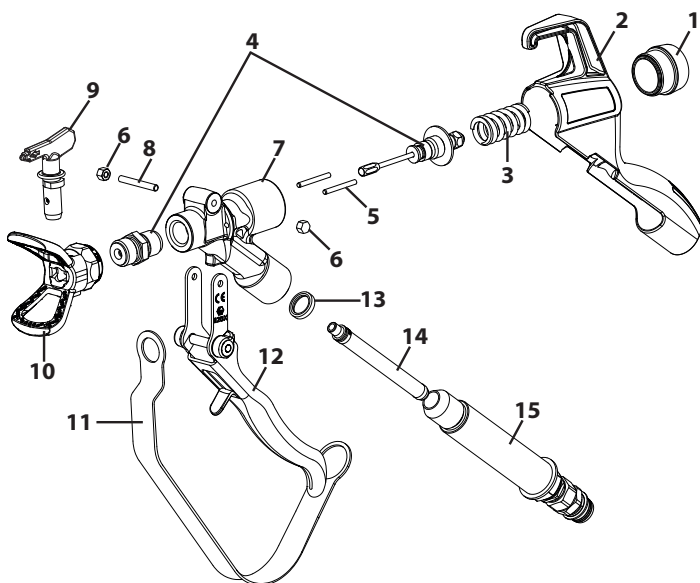
EN ISO 12100, EN 1953, EN ISO 80079-36



El producto viene acompañado de la declaración UE de conformidad. Si lo necesita, puede pedirla adicionalmente por el número de pedido **2389342**.



# Lista de piezas



Pos.	Nº De ped.	Denominación
1	0335301	Tornillo de cubierta (250 bar)
	2339659	Tornillo de cubierta (530 bar)
2	2332588	Mango
3	2344878	Resorte de presión (250 bar)
	0347335	Resorte de presión (530 bar)
4	2347489	Junta y difusor
5	2332598	Pasador cilíndrico
6	9910403	Tuerca de sombrerete
7	2343066	Carcasa de pistola (250 bar)
	2343158	Carcasa de pistola (530 bar)
8	2343085	Perno

Pos.	Nº De ped.	Denominación
9	662-xxx	Boquilla SC6+ (250bar)
	696-xxx	Boquilla TR High Pressure (530 bar)
10	0289228 661-027	Portaboquillas 250 bar Portaboquillas 530 bar
11	2332605	Estribo de protección
12	2333189	Gatillo completo
13	0043303	Junta del mango
14	0089958	Filtro (blanco, 2 uds.)
	0089957	Filtro (verde, 2 uds.)
15	2347490	Pieza enroscable completa (250 bar)
	2347492	Pieza enroscable completa (530 bar)

## Avvertenze per la sicurezza



**Rispettare le norme di sicurezza! Rispettare tutte le normative locali, statali e nazionali relative all'areazione, alla prevenzione degli incendi ed al funzionamento.**



**PERICOLO: Lesione da iniezione**

**Il flusso liquido ad alta pressione prodotto dall'apparecchio può lacerare la pelle ed i tessuti sottostanti, provocando una lesione grave o perfino l'amputazione. Consultare immediatamente il medico.**

**NON TRATTARE UNA LESIONE DA INIEZIONE COME UN SEMPLICE TAGLIO! L'iniezione può provocare l'amputazione. Consultare immediatamente il medico. Informare il medico sul tipo di materiale di rivestimento o di agente pulente che ha causato la lesione.**

- MAI puntare la pistola contro nessuna parte del corpo.
- MAI toccare il flusso di liquido con nessuna parte del corpo. NON toccare le perdite del tubo di gomma.
- MAI mettere le mani davanti alla pistola. I guanti non offrono alcuna protezione contro una lesione da iniezione.
- MAI puntare la pistola contro un'altra persona.
- Mettere SEMPRE la sicura al grilletto della pistola, chiudere la pompa e rilasciare tutta la pressione prima della manutenzione, della pulizia dell'ugello o del paramano, prima di cambiare l'ugello o di lasciare l'apparecchio incustodito. La pressione non viene rilasciata spegnendo il motore. La valvola PRIME/SPRAY (SPRUZZA/SPRAY) deve essere posizionata su PRIME (SPRUZZA) per rilasciare la pressione. Fare riferimento alla procedura di rilascio della pressione descritta nel manuale della pompa.
- Tenere SEMPRE il dispositivo di sicurezza dell'ugello in posizione mentre si spruzza. Il dispositivo di sicurezza dell'ugello offre una certa protezione, ma si tratta per la maggior parte di un dispositivo di prevenzione.
- Togliere SEMPRE l'ugello prima di lavare o pulire l'apparecchio.
- Il tubo per la verniciatura può avere delle perdite a causa dell'usura, di un nodo o dell'abuso. Una perdita può iniettare del materiale nella pelle. Controllare il tubo prima di ciascun utilizzo.
- MAI usare una pistola per verniciatura a spruzzo se la sicura del grilletto non funziona ed il paramano non è posizionato correttamente.
- Tutti gli accessori devono essere regolati secondo il livello massimo di pressione dello spruzzatore oppure al di sopra, inclusi gli ugelli, le pistole, le prolunghie e il tubo.



**PERICOLO: Pericolo di esplosione dovuto a materiali incompatibili**

**Può provocare lesioni gravi o danni alle cose.**

- Non usare materiali contenenti candeggina o cloro.
- Non usare solventi contenenti idrocarburi alogenati come candeggina, antimuffa, cloruro di metilene, e 1,1,1 (tricloroetano). Tali sostanze non sono compatibili con l'alluminio.
- Consultare il fornitore della vernice per verificare la compatibilità del materiale con l'alluminio.



**PERICOLO: Generale**

**Può provocare lesioni gravi o danni alle cose.**

1. Leggere tutte le istruzioni e le avvertenze di sicurezza prima di utilizzare l'apparecchio.
2. Mai spruzzare vicino a fonti infiammabili; ad esempio fiamme vive, sigarette (anche sigari e pipe sono fonti infiammabili), scintille, fili elettrici e superfici roventi, ecc.
3. Indossare protezioni per le vie respiratorie mentre si spruzza. L'operatore deve indossare una mascherina protettiva. Per prevenire malattie del lavoro occorre rispettare le normative del fabbricante relative ai materiali, ai solventi ed agli agenti pulenti utilizzati durante la preparazione, il funzionamento e la pulizia dell'apparecchio. E' necessario indossare indumenti, guanti e occhiali protettivi, e in alcuni casi anche usare crema protettiva per la pelle.
4. Seguire le avvertenze e le istruzioni del fabbricante per il materiale e il solvente.
5. Le attrezzature per l'estrazione dovrebbero essere installate dall'utente in conformità con le normative locali.
6. Gli oggetti da verniciare devono essere messi a terra.
7. Prima dell'uso controllare tutti i tubi per verificare la presenza di tagli, perdite, abrasioni o rigonfiamenti del rivestimento. Verificare che gli accoppiamenti non siano danneggiati o che si muovano. Sostituire immediatamente il tubo se si verifica una delle condizioni descritte sopra. Non riparare mai un tubo per verniciare. Sostituire con un tubo ad alta pressione messo a terra.
8. Premendo il grilletto, la mano che tiene la pistola verrà sottoposta ad una forza di rinculo, che può essere particolarmente intensa nel caso in cui l'ugello sia stato tolto e la pompa ad alta pressione senza aria sia stata impostata per ottenere una forte pressione. Occorre pertanto impostare la valvola di controllo della pressione alla pressione minore quando si esegue la pulizia senza l'ugello.
9. Usare soltanto i componenti approvati dal fabbricante. L'utente si assume tutti i rischi e le responsabilità nel caso si scelga di utilizzare pezzi che non soddisfano i requisiti minimi ed i dispositivi di sicurezza del fabbricante della pompa.



## CONTRASSEGNO PROTEZIONE ANTIDEFLAGRANTE

**Marcatura X:** La pistola è Ex II 2G c IIC T6 X e, in conformità con la Direttiva 2014/34 UE, è adatta all'uso in aree a rischio di esplosione, ad esempio del tipo Zona 1. In alcuni casi può essere l'apparecchio stesso a causare l'insorgere delle condizioni della Zona 1.

**Tutte le scariche di elettricità statica provenienti dalla pistola devono essere dirette alla pompa ad alta pressione messa a terra attraverso il tubo conduttivo di gomma ad alta pressione come indicato.**

**La temperatura superficiale max. corrisponde alla temperatura consentita del materiale. Questa e la temperatura ambiente consentita sono indicate nel capitolo „Dati tecnici“.**

Per evitare che la macchina provochi scintille, impedire le forze d'urto e non lavorare sull'unità con attrezzi nell'area a rischio di esplosione.

## RISCHI RESIDUALI

I rischi residuali sono rischi che non possono essere esclusi, anche quando il dispositivo è utilizzato allo scopo previsto.

In tali casi, le aree applicabili dei rischi residuali reali saranno messe in evidenza utilizzando segnali di avvertenza e/o proibizione.

Rischio	Origine / Causa	Impatto	Misure preventive	Può verificarsi durante:
Lesione da iniezione	Flusso ad alta pressione, atomizzato, del fluido	Lesione grave o amputazione	Non rivolgere MAI la pistola verso una parte del corpo	Configurazione, Funzionamento
Esplosione o incendio	Elettricità statica o scintille	Lesione grave	Usare in zone ben ventilate Messa a terra della pistola	Funzionamento
Vapori pericolosi	Vapori pericolosi dal materiale di spruzzo	Lesione grave	Usare in zone ben ventilate Usare una maschera	Funzionamento

## Dati tecnici

	M-4	M-8
<b>Pressione massima</b>	25 MPa (250 bar, 3600 PSI)	53 MPa (530 bar, 7700 PSI)
<b>Dimensione raccordo di ingresso del materiale</b>	3/8" NPS	1/4" NPS
<b>Dimensione ingresso manicotto</b>	7/8" NPS	7/8" NPS
<b>Materiale parti a contatto con il liquido</b>	Acciaio di qualità superiore, alluminio, PTFE, metallo duro	
<b>Intervallo di temperatura da</b>	5°C - 40°C (41°F - 104°F)	
<b>Temperatura massima materiale</b>	43°C (109°F)	
<b>Peso (completo di portaugello e ugello)</b>	680 g (1,5 lbs)	

## Introduzione

La pistola per verniciatura a spruzzo airless è progettata per l'atomizzazione di materiali di rivestimento liquidi.

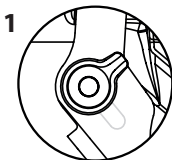
La versione 250 bar è particolarmente adatta per l'applicazione di stucco a spruzzo.

La versione 530 bar è consigliata per applicazioni di rivestimento protettivo e per l'impiego con tutte le pompe che generano una opportuna alta pressione.

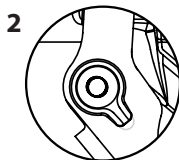
## Uso della sicura del grilletto della pistola

Inserire sempre la sicura del grilletto quando non si usa la pistola.

1. Per bloccare il grilletto, ruotare la sicura del grilletto verso l'alto finché non si arresta.
2. Per rilasciare il grilletto ruotare la sicura del grilletto verso il basso.



Sicura inserita  
(la pistola non può spruzzare)



Sicura disinserita  
(la pistola può spruzzare)

## Filtro per aerografo



Nella M-4 / M-8 non è premontato alcun filtro per aerografo. A seconda del materiale da trattare, si raccomanda di utilizzare un filtro per aerografo idoneo per il singolo ugello. **Attenzione:** Nell'applicazione di stucco a spruzzo e materiali simili non utilizzare alcun filtro per aerografo, in quanto altrimenti il filtro si intasa.

## Preparazione

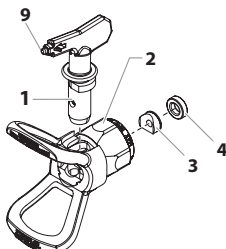


**Non cercare mai di assemblare, cambiare o pulire la pistola, l'ugello o il dispositivo di sicurezza dell'ugello senza aver prima rilasciato la pressione dal sistema di spruzzo. Seguire il "Procedura di rilascio della pressione" illustrato nel manuale dell'utente dello spruzzatore.**



**Usare sempre un dispositivo di sicurezza dell'ugello per un'ulteriore protezione contro il rischio di iniezione. Attenzione: il dispositivo di sicurezza non può da solo evitare l'iniezione. Mai tagliare il dispositivo di sicurezza dell'ugello! Inserire sempre la sicura del grilletto quando non si usa la pistola. Prima di eseguire la manutenzione consultare i manuali dell'utente e rispettare tutte le avvertenze.**

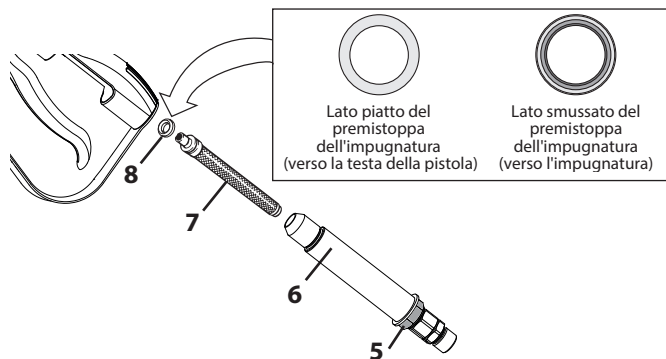
1. Rimuovere l'ugello (1) e il riparo dell'ugello (2) dall'aerografo airless.
2. Con la punta (9) presente sull'impugnatura dell'ugello inserire e premere con forza la guarnizione dell'ugello (3) e la guarnizione (4) nella parte posteriore del riparo dell'ugello (2).
3. Inserire l'ugello (1) nell'apertura del riparo dell'ugello.



4. Avvitare il riparo dell'ugello nell'aerografo airless. Portare il riparo dell'ugello nella direzione di spruzzo desiderata e stringere.



**La freccia dell'impugnatura dell'ugello dovrebbe essere rivolta in avanti quando si vuole spruzzare.**



5. Svitare l'avvitatura (5) con la chiave ed estrarre l'alloggiamento del filtro (6) e il filtro (7) dalla pistola.
6. Collocare un idoneo filtro per aerografo (7) nell'alloggiamento del filtro (6) (estremità stretta del filtro verso l'alto).
7. Posizionare il premistoppa dell'impugnatura (8) nella testa della pistola con il lato piatto verso la testa della pistola.
8. Inserire nuovamente l'alloggiamento del filtro (6) nell'aerografo e stringere.
9. Collegare un idoneo tubo flessibile ad alta pressione originale di Titan all'ingresso materiale della pistola airless. Con due chiavi (una sulla pistola ed una sul tubo), stringere bene.



**Controllare prima del collegamento allo spruzzatore airless che tutte le parti dell'aerografo e il tubo siano avvitati in sede in modo sicuro.**

## Funzionamento

1. Assicurarsi che la freccia dell'impugnatura dell'ugello sia rivolta in avanti quando si vuole spruzzare.
2. Avviare lo spruzzatore. Fare riferimento alle istruzioni contenute nel manuale dell'utente dello spruzzatore.
3. Regolare la pressione del liquido sullo spruzzatore finché lo spruzzo non è del tutto atomizzato. Spruzzare sempre alla pressione minima necessaria per ottenere i risultati desiderati.



**L'ugello determina le dimensioni del getto e del rivestimento. Quando occorre un rivestimento maggiore usare un ugello più grande invece di aumentare la pressione del liquido.**

4. Per pulire un ugello ostruito:
  - a. Ruotare l'ugello di 180° in modo che la freccia sull'impugnatura sia rivolta nella direzione opposta a quella del getto.
  - b. Premere il grilletto una volta in modo che la pressione spinga il blocco all'esterno.



**Mai premere il grilletto più volte con l'ugello rivolto indietro.**

Attenzione

- c. Continuare finché il blocco non viene rimosso dall'ugello.

## Cambiare l'ugello

Gli ugelli possono essere tolti e sostituiti facilmente senza smontare la pistola.

### Riconoscere le dimensioni dell'ugello

Per riconoscere le dimensioni dell'ugello, usare la seguente formula. In questo esempio verrà utilizzato l'ugello A "517".

La prima cifra moltiplicata per due rappresenta le dimensioni del getto quando si spruzza da 12" dalla superficie di lavoro:

$$5 \times 2 = \text{getto } 10" (25,4 \text{ cm})$$

Le secondo due cifre rappresentano il diametro del foro dell'ugello:

$$17 = \text{foro } 0.017" (0,043 \text{ mm})$$



**Mai cercare di cambiare o pulire l'ugello o il relativo dispositivo di sicurezza senza prima eseguire la "Procedura di rilascio della pressione".**

1. Seguire la "Procedura di rilascio della pressione" illustrato nel manuale dell'utente dello spruzzatore.
2. Togliere l'ugello dal dispositivo di sicurezza.
3. Inserire il nuovo ugello nel dispositivo di sicurezza. La freccia dell'impugnatura dell'ugello dovrebbe essere rivolta in avanti quando si vuole spruzzare.

### Togliere il premistoppa e il premistoppa dell'ugello

1. Togliere l'ugello e il relativo dispositivo di sicurezza dalla pistola.
2. Togliere il premistoppa e il premistoppa dell'ugello dalla parte posteriore del dispositivo di sicurezza.



**Gli ugelli usurati hanno un profilo di spruzzo peggiore e si traducono in un aumento del consumo di materiale e una inferiore ampiezza del getto. Sostituire immediatamente gli ugelli consumati.**



## Pulizia

Un aerografo airless accuratamente pulito è essenziale per il corretto funzionamento. Lavare la pistola dopo ciascun utilizzo e conservare in un luogo asciutto. Non lasciare la pistola o uno dei suoi componenti immerso in acqua o in solventi.



**Segue un elenco di istruzioni particolari per la pulizia con solventi infiammabili:**

- Lavare sempre la pistola preferibilmente all'aperto ed almeno alla distanza del tubo di gomma dalla pompa.
- Se i solventi sciacquati vengono raccolti in un contenitore di metallo da 4 litri (un gallone), posizionare il contenitore in un altro contenitore vuoto da 20 litri (cinque galloni), quindi sciacquare i solventi.
- Nell'area di lavoro non devono accumularsi vapori infiammabili e occorre assicurare una buona ventilazione.
- Seguire tutte le istruzioni per la pulizia.



Attenzione

**Lo spruzzatore, il tubo e l'aerografo airless devono essere puliti accuratamente dopo ogni utilizzo, altrimenti il materiale utilizzato può depositarsi incidendo sensibilmente sulle prestazioni del dispositivo.**



**Spruzzare sempre con la più bassa pressione possibile quando ugello e relativo riparo sono rimossi. Per la pulizia dell'aerografo airless, del tubo e dello spruzzatore utilizzare solo acqua o un solvente adatto.**

## Manutenzione

Rispettare tutte le avvertenze di sicurezza come indicato nella sezione Avvertenze di sicurezza di questo manuale prima dell'utilizzo.



Fare riferimento alla sezione Elenco componenti di questo manuale per identificare le parti.

### Sostituzione/Manutenzione del blocco del premistoppa

Se fuoriesce del materiale dall'aerografo airless nonostante il grilletto non sia tirato, l'ago o la sede dell'ago sono usurati, danneggiati o sporchi e devono essere puliti o sostituiti.



**Mai cercare di fare della manutenzione sulla pistola senza prima eseguire la "Procedura di rilascio della pressione".**

1. Scollegare il tubo del fluido dall'aerografo airless.  
Per i passaggi successivi attenersi anche alla Figura a pagina 58.
2. Togliere l'ugello e il relativo dispositivo di sicurezza.
3. Con il grilletto premuto, togliere il manicotto dalla parte frontale della pistola.
4. Svitare la vite di copertura (1) con un cacciavite a taglio e rimuovere la molla di compressione (2).
5. Con la chiave a tubo da 10 mm svitare l'ago (3) ed estrarlo dall'aerografo.
6. Pulire accuratamente le parti smontate.
7. Controllare che i pezzi non siano consumati o danneggiati e usare pezzi nuovi per montare di nuovo la pistola, se necessario.



**Lubrificare tutte le guarnizioni e le parti mobili prima di montare di nuovo con un lubrificante a base di litio.**

8. Far scorrere la scatola posteriore sulle spine di comando e fissare in posizione con il dado della sicura.
9. Con il grilletto premuto, installare il manicotto nella parte frontale della testa della pistola e stringere bene con una chiave.
10. Reinserire l'ago nell'aerografo.
11. Inserire la molla a pressione (2) e avvitare la vite di copertura (1) fino all'arresto.
12. All'occorrenza regolare la guarnizione nel modo descritto di seguito.

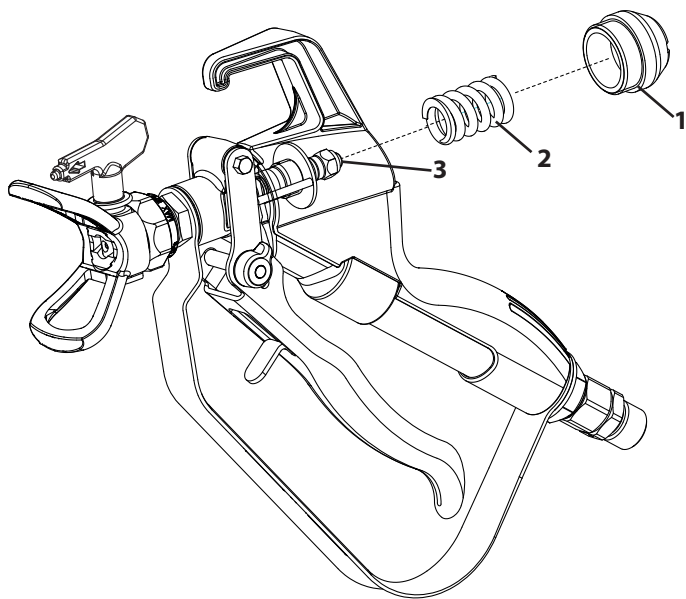
## Regolazione del manicotto di tenuta



**Nella vite di copertura è presente un foro. Se da questo foro fuoriesce materiale di rivestimento, si deve ripetere la regolazione del manicotto di tenuta.**

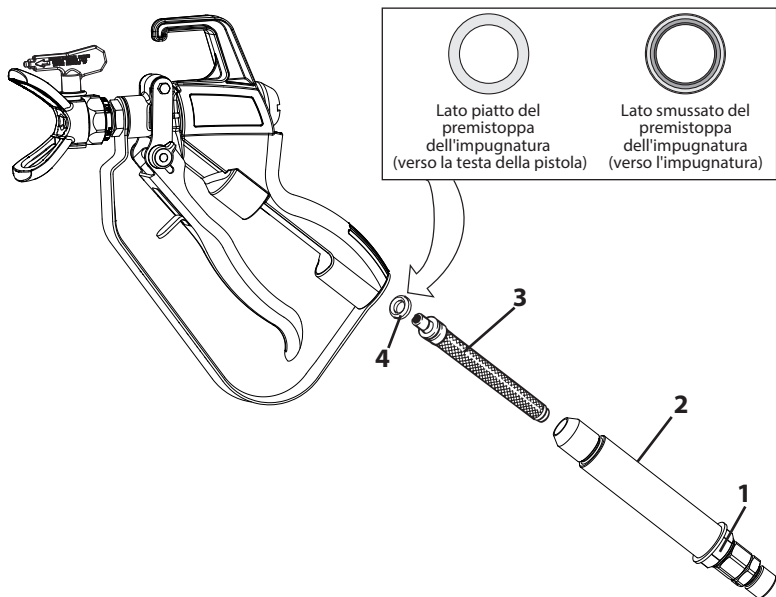
1. Svitare la vite di copertura (1) con un cacciavite a taglio e rimuovere la molla di compressione (2).
2. Con una chiave a tubo da 10 mm, ruotare la piastra di pressione di 1/4 di giro verso destra.
3. Inserire la molla a pressione (2) e avvitare la vite di copertura (1) fino all'arresto.

Se questo intervento non elimina il difetto, occorre rivolgersi ad un centro assistenza clienti Titan.



## Sostituzione/Rimozione del filtro

1. Svitare l'avvitatura (1) con la chiave ed estrarre l'alloggiamento del filtro (2) e il filtro (3) dalla pistola.
2. Rimuovere il vecchio filtro dall'alloggiamento del filtro.
3. Inserire il nuovo filtro con l'estremità stretta verso l'alto nell'alloggiamento del filtro.
4. Posizionare il premistoppa dell'impugnatura (4) nella testa della pistola con il lato piatto verso la testa della pistola.
5. Inserire nuovamente l'alloggiamento del filtro (3) nell'aerografo e stringere.



## Dichiarazione di conformità UE

Dichiariamo sotto la nostra esclusiva responsabilità, che il presente prodotto corrisponde alle relative disposizioni seguenti:

2006/42/CE, 2014/34/UE, 2011/65/UE

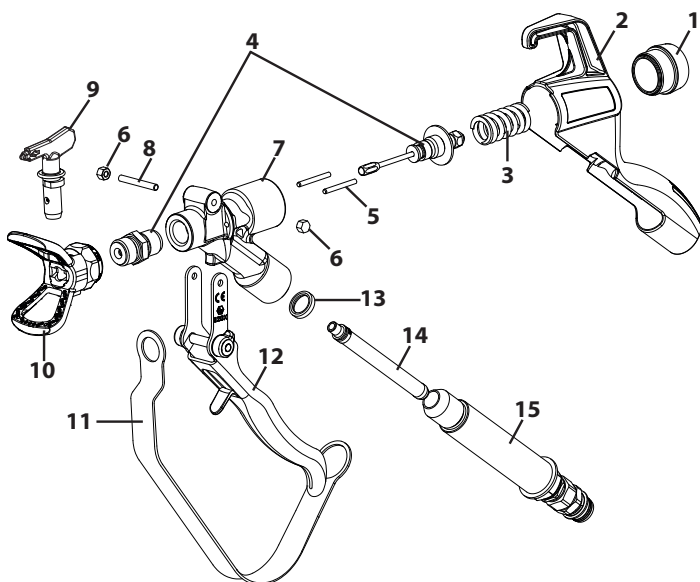
Norme armonizzate:

EN ISO 12100, EN 1953, EN ISO 80079-36



La dichiarazione di conformità UE è allegata al prodotto. Se necessario, può esserne richiesta una copia con il numero d'ordine **2389342**.

# Elenco componenti



Pos.	N° ord.	Nome
1	0335301 2339659	Vite di copertura (250bar) Vite di copertura (530bar)
2	2332588	Presa
3	2344878 0347335	Molla di compressione (250 bar) Molla di compressione (530 bar)
4	2347489	Guarnizione e manicotto
5	2332598	Spina cilindrica
6	9910403	Dado cieco
7	2343066 2343158	Corpo aerografo 250 bar Corpo aerografo 530 bar
8	2343085	Bullone
9	662-xxx 696-xxx	Ugello SC6+ (250 bar) Ugello TR High Pressure (530 bar)

Pos.	N° ord.	Nome
10	0289228 661-027	Portaugello 250 bar Portaugello 530 bar
11	2332605	Arco di protezione
12	2333189	Grilletto compl.
13	0043303	Guarnizione dell'impugnatura
14	0089958 0089957	Filtro (bianco, 2 pezzi) Filtro (verde, 2 pezzi)
15	2347490 2347492	Elemento avvitabile compl. 250 bar Elemento avvitabile compl. 530 bar

## Conselhos de segurança



**A segurança deve estar sempre em primeiro lugar! Todos os regulamentos locais e nacionais relativos a ventilação, proteção contra incêndios e de segurança do trabalho devem ser rigorosamente observados.**



**PERIGO: Ferimento devido a líquidos sob pressão**

**O jato de líquido a alta pressão libertado por este aparelho pode penetrar na pele e no tecido conjuntivo, provocando lesões graves, que podem, até, conduzir à amputação. Chamar imediatamente um médico.**

**NÃO TRATAR UMA LESÃO FEITA ATRAVÉS DE UMA INJEÇÃO DE LÍQUIDO EM ALTA PRESSÃO DA MESMA FORMA QUE TRATA UM CORTE NORMAL! A absorção de líquidos sob pressão pelo tecido conjuntivo pode conduzir à amputação. Chamar imediatamente um médico. O médico deve ser informado sobre o tipo de revestimento ou de produto de limpeza que provocou o ferimento.**

- NUNCA orientar a pistola Airless para partes do corpo.
- NUNCA colocar partes do corpo à frente do jato de líquido de alta pressão. NUNCA tapar um furo no tubo de pressão usando o corpo.
- NUNCA colocar a mão à frente da agulheta da pistola Airless. As luvas não são proteção suficiente para ferimentos causados por injeção de líquidos sob pressão.
- NUNCA apontar a pistola Airless para pessoas.
- Bloquear SEMPRE o gatilho da pistola Airless, desligar a bomba e libertar a pressão antes de efetuar trabalhos de limpeza e de manutenção na agulheta ou na proteção da agulheta, em caso de substituição da mesma ou se deixar o aparelho sem vigilância. Mesmo depois de desligar o motor, o aparelho mantém-se sob pressão. A válvula PRIME/SPRAY (enchimento prévio/pulverização) deve estar na posição PRIME (enchimento prévio) para libertar a pressão. A pressão de resposta para a válvula está indicada no manual de instruções da bomba.
- Utilizar SEMPRE a proteção da agulheta durante o trabalho de pulverização. Embora a proteção da agulheta seja, de facto, uma forma de proteção, é, no entanto e em primeiro lugar, concebida como um dispositivo de aviso.
- Retirar SEMPRE a agulheta de pulverização antes de proceder à limpeza ou lavagem do sistema.
- Pode tornar-se impossível fechar o tubo de tinta devido a uma má vedação decorrente de utilização incorreta, dobras ou desgaste. Através de um furo, o líquido pode ser injetado na pele. Verificar com atenção o tubo antes da utilização.
- NUNCA utilizar uma pistola Airless sem a segurança do gatilho e se a mola do gatilho não estiver em bom estado de funcionamento.
- Todos os acessórios devem dispor de autorização de funcionamento, no mínimo, à pressão máxima de funcionamento do aparelho de pulverização Airless. Isto diz respeito a agulhetas de pulverização, a extensões e ao tubo.



### **PERIGO: Perigo de explosão devido a materiais incompatíveis**

**Materiais incompatíveis podem provocar danos pessoais e materiais graves.**

- Não processar materiais que contenham cloro ou hipoclorito.
- Não utilizar hidrocarbonetos halogenados como solvente, tal como, por exemplo, uma solução de hipoclorito, um agente antibolor, cloreto de metileno ou 1,1,1-tricloroetano. Este solvente corrói o alumínio.
- Poderá obter informações adicionais sobre a compatibilidade entre o material de revestimento e o alumínio junto do fabricante.



### **PERIGO: Generalidades**

**Pode provocar danos pessoais e materiais graves.**

1. Rever atentamente todas as instruções e conselhos de segurança antes de colocar o aparelho em funcionamento.
2. Nunca pulverizar na proximidade de uma fonte de ignição, ou seja, perto de chamas abertas, cigarros (os charutos e cachimbos constituem igualmente fontes de ignição), faíscas, fios incandescentes, superfícies quentes, etc.
3. Usar proteção respiratória durante os trabalhos de pulverização. O operador deve utilizar uma máscara de proteção. Para evitar doenças relacionadas com o trabalho observar as instruções do fabricante relativas a tintas, solventes e agentes de limpeza quando estiver a preparar, a utilizar ou a limpar o aparelho. Utilizar luvas de trabalho, vestuário de proteção, proteção dos olhos e, em determinados casos, ainda um creme específico de proteção da pele.
4. Observar as advertências e instruções do fabricante relativas às tintas, revestimentos e solventes.
5. Os dispositivos de sucção devem ser aplicados pelo utilizador de acordo com as prescrições locais em vigor.
6. Os elementos de revestimento devem dispor de uma ligação terra.
7. Antes de cada utilização, controlar sempre todos os tubos, procurando cortes, fugas e pontos desgastados, assim como deformações na superfície do tubo. Controlar a integridade e a fixação correta dos acoplamentos. Substituir imediatamente o tubo caso verifique qualquer um dos problemas mencionados. Nunca reparar um tubo de tinta. Neste caso, substituir o tubo por um tubo de alta pressão com ligação terra.
8. Durante o acionamento do gatilho, a pistola de pulverização é puxada para o lado. Este impulso de força da pistola Airless é especialmente forte quando a agulheta é retirada e quando se coloca alta pressão na bomba de alta pressão. Durante a limpeza, colocar a válvula de regulação da pressão no valor de pressão mais baixo, rodando a agulheta.
9. Utilizar apenas peças autorizadas pelo fabricante. O utilizador é responsável pelos riscos decorrentes da utilização de peças que não cumpram os requisitos mínimos, assim como da utilização de dispositivos de segurança que não sejam originais do fabricante da pistola Airless.



### Marcação X:

A pistola Airless corresponde à Ex II 2G c IIC T6 X e é adequada, nos termos da Diretiva 2014/34 UE, à utilização em áreas com perigo de explosão da zona 1. Em determinadas condições, o aparelho produz já a área da zona 1.

Uma possível carga eletrostática da pistola é, segundo as normas, desviada através do tubo de alta pressão para uma bomba de alta pressão com ligação terra.

A temperatura máx. da superfície corresponde à temperatura autorizada do material. Esta e a temperatura ambiente autorizadas podem ser consultadas no capítulo “Dados técnicos”.

Para impedir a produção de faíscas na máquina, evitar choques da carga e não colocar qualquer ferramenta em cima do aparelho quando utilizado em áreas de perigo de explosão.

### Riscos residuais

Riscos residuais são riscos que não podem ser excluídos mesmo numa utilização correta.

Da mesma forma, as placas de aviso e de proibição nos respetivos pontos de risco advertem para riscos residuais existentes.

<b>Perigo</b>	<b>Fonte/Causa</b>	<b>Efeito</b>	<b>Medidas preventivas</b>	<b>Pode ocorrer durante:</b>
Perigo de injeção	Fluxo de líquido sob alta pressão	Ferimento grave ou amputação	NUNCA apontar a pistola Airless para partes do corpo.	Montagem, funcionamento
Explosão ou incêndio	Eletricidade estática ou faíscas	Ferimento grave	Utilizar apenas em áreas bem ventiladas Fazer a ligação terra da pistola Airless	Em funcionamento
Vapores perigosos	Vapores perigosos de materiais de pulverização	Ferimento grave	Utilizar apenas em áreas bem ventiladas Usar uma máscara	Em funcionamento



## Dados técnicos

	M-4	M-8
<b>Pressão máxima de funcionamento</b>	25 MPa (250 bar, 3600 PSI)	53 MPa (530 bar, 7700 PSI)
<b>Rosca de entrada de material</b>	3/8" NPS	1/4" NPS
<b>Rosca do difusor</b>	7/8" NPS	7/8" NPS
<b>Material das peças que entram em contacto com o material de revestimento</b>	Aço de elevada qualidade, alumínio, PTFE, metais duros	
<b>Gama da temperatura de funcionamento</b>	5°C a 40°C (41°F a 104°F)	
<b>Temperatura máxima da tinta</b>	43°C (109°F)	
<b>Peso (compl. incl. suporte de agulheta e agulheta)</b>	680 g (1,5 lbs)	

## Introdução

Esta pistola Airless destina-se à pulverização de alta pressão de materiais de revestimento líquidos.

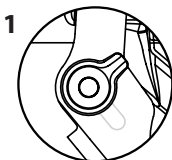
O modelo de 250 bar é especialmente adequado à aplicação de argamassa em spray.

O modelo de 530 bar é recomendado para aplicações de Protective Coating e para ser utilizado com todas as bombas que geram uma pressão igualmente elevada.

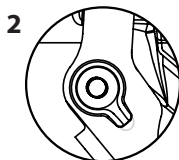
## Utilização da proteção do gatilho da pistola

Colocar sempre a proteção do gatilho da pistola quando a pistola Airless não estiver a ser utilizada.

1. Para bloquear o gatilho, rodar a proteção do gatilho para a frente até ao batente.
2. Para desbloquear o gatilho, rodar a proteção do gatilho para baixo.



Gatilho bloqueado  
(a pistola de  
pulverização não  
pulveriza)



Gatilho desbloqueado  
(a pistola de  
pulverização pulveriza)

## Filtro da pistola



A M-4 / M-8 não tem nenhum filtro de pistola previamente montado. Dependendo do material a processar é recomendável utilizar um filtro de pistola adequado à agulheta. **Atenção: No processamento de argamassa em spray e outros materiais semelhantes, não utilizar nenhum filtro de pistola, uma vez que este pode entupir.**

## Colocação em funcionamento

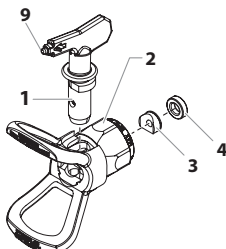


**Nunca desmontar, substituir ou lavar a pistola Airless, a agulheta ou a proteção da agulheta quando a pressão no sistema de pulverização ainda não tiver sido totalmente libertada. Libertar a pressão de acordo com as advertências constantes no manual de instruções do aparelho de pulverização.**



**Para proteção adicional contra uma injeção, utilizar sempre a proteção da agulheta. No entanto, a proteção da agulheta não protege, por si só, de uma injeção. Nunca desmontar a proteção da agulheta! Quando a pistola de pulverização não estiver a ser utilizada, bloquear sempre o gatilho. Antes de realizar trabalhos de manutenção, rever o manual de instruções e observar todas as advertências.**

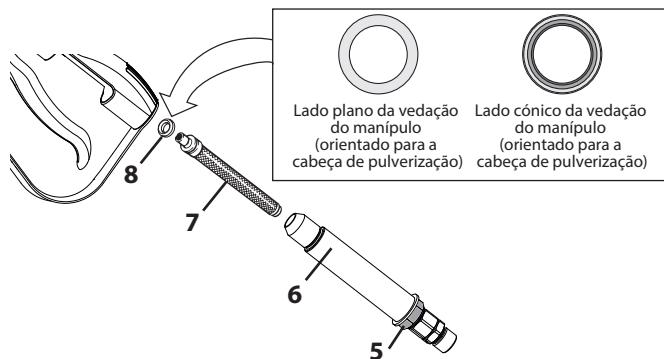
1. Separar a agulheta (1) e a proteção da agulheta (2) da pistola Airless.
2. Com a ponta (9) no manípulo da agulheta colocar a vedação da agulheta (3) e a vedação (4) na parte posterior da proteção da agulheta (2) e fixar.
3. Colocar a agulheta (1) na abertura da proteção da agulheta.



4. Aparafusar a proteção da agulheta na pistola Airless. Colocar e apertar a proteção da agulheta na direção de pulverização desejada.



**A seta na agulheta deve estar orientada na direção de pulverização para a frente.**



5. Soltar a união roscada (5) com uma chave de parafusos e retirar a estrutura do filtro (6) e o filtro (7) da pistola.
6. Colocar um filtro de pistola (7) adequado na estrutura do filtro (6) (extremidade estreita do filtro a apontar para cima).
7. Introduzir a vedação do manípulo (8) com o lado plano virado para o cabeçote da pistola.
8. Colocar a estrutura do filtro (6) novamente na pistola e aparafusar.
9. Ligar um tubo de alta pressão original da Titan adequado à pressão na entrada de material da pistola Airless. Apertar o tubo com duas chaves de parafusos (uma colocada na pistola Airless e a outra no tubo).



**Antes da ligação ao aparelho de pulverização Airless verificar que todas as peças da pistola e o tubo estão bem fixados e aparafusados.**

## Em funcionamento

1. Rodar a seta da agulheta na direção de pulverização.
2. Colocar o aparelho Airless em funcionamento (ver as instruções de utilização do aparelho Airless).
3. Regular a pressão de pulverização no aparelho, de forma a que o jato de tinta à saída da agulheta seja totalmente pulverizado. Utilizar sempre a pressão de pulverização mais baixa possível, mas que permita ainda conseguir um bom padrão de pulverização.



**A agulheta de pulverização determina a dimensão do padrão de pulverização e a cobertura. Quando for necessária uma melhor cobertura, utilizar uma agulheta maior sem aumentar a pressão.**

4. Limpeza de uma agulheta entupida:
  - a. Rodar a agulheta 180°, de forma a que a seta na agulheta fique orientada na direção contrária à da pulverização.
  - b. Soltar a pistola Airless por breves momentos para que a obstrução seja eliminada pela pressão.



**Acionar o gatilho sempre durante breves instantes quando a agulheta estiver na direção inversa.**

- c. Repetir este passo até eliminar o entupimento da agulheta.

## Substituir a agulheta

As agulhetas são facilmente retiradas e substituídas sem que a pistola Airless tenha que ser desmontada.

## Determinar a dimensão da agulheta

Para a determinação da dimensão da agulheta utilizar a seguinte fórmula: Neste exemplo, a dimensão da agulheta utilizada é 517.

O primeiro número multiplicado por 2 corresponde à dimensão do padrão de pulverização a uma distância de 12" (30,5 cm) da superfície de trabalho:

$$5 \times 2 = 10" \text{ (25,4 cm) padrão de pulverização}$$

Os outros dois números mostram o diâmetro e a abertura da agulheta:

$$17 = 0,017" \text{ (0,043 mm) abertura da agulheta}$$



**Nunca trocar ou lavar a agulheta ou a proteção da agulheta quando o sistema ainda estiver sob pressão.**

1. Libertar a pressão de acordo com as advertências constantes no manual de instruções do aparelho de pulverização.
2. Retirar a agulheta da ranhura de proteção da agulheta.
3. Colocar a nova agulheta na ranhura de proteção da agulheta. A seta na agulheta deve estar orientada na direção de pulverização para a frente.

## Retirar a vedação e a vedação da agulheta

1. Desmontar a agulheta e a proteção da agulheta.
2. Retirar a vedação e a vedação da agulheta da parte posterior da proteção da agulheta.



**Agulhetas desgastadas têm um padrão de pulverização mais fraco e provocam um maior consumo de material, bem como uma menor largura do jato de pulverização. Substituir imediatamente as agulhetas desgastadas.**

## Limpeza

Uma pistola Airless perfeitamente limpa é imprescindível para um funcionamento correto. Limpar a pistola Airless depois de cada utilização e guardá-la num local seco. Nunca deixar a pistola Airless ou peças da mesma mergulhadas em água ou outros agentes de limpeza.



### **Indicações de limpeza adicionais em caso da utilização de líquidos inflamáveis:**

- Limpar a pistola Airless sempre ao ar livre e com um comprimento de tubo que permita o afastamento da bomba de pulverização.
- Se o solvente utilizado na lavagem tiver sido guardado num recipiente de metal de cerca de 4l (1 galão), colocar primeiro o solvente num recipiente de cerca de 20l (5 galões) e só então continuar a lavar.
- Na área de trabalho não se podem formar vapores inflamáveis e é necessário assegurar uma boa ventilação.
- Respeitar todas as instruções de limpeza.



Atenção

**O aparelho de pulverização, o tubo e a pistola Airless devem ser bem limpos depois de cada utilização, caso contrário, o material utilizado pode ficar colado e influenciar consideravelmente o desempenho do aparelho.**



**Pulverizar sempre com a pressão mais baixa quando a agulheta e a proteção da agulheta não estiverem montadas. Para limpar a pistola Airless, o tubo e o aparelho de pulverização utilizar somente água e/ou um solvente adequado.**

## Manutenção

Antes de realizar trabalhos de manutenção, ter em atenção todos os conselhos de segurança do parágrafo “Conselhos de segurança” deste manual.



Os números das peças encontram-se na lista de peças sobressalentes deste manual.

### Substituir e/ou reparar a vedação

Se sair material pela pistola Airless embora o gatilho não esteja acionado, a agulheta ou a ranhura da agulheta estão desgastadas, danificadas ou sujas e devem ser limpas ou substituídas.



**Nunca realizar trabalhos de manutenção na pistola Airless quando o sistema ainda estiver sob pressão.**

1. Separar o tubo de material da pistola Airless.  
Para os passos seguintes observar a figura na página 71.
2. Retirar a agulheta e a proteção da agulheta.
3. Se o gatilho estiver acionado, desmontar o difusor na parte frontal da pistola Airless.
4. Desaparafusar o parafuso de fixação (1) com uma chave de fendas de pontas chatas (2) e retirar a mola de pressão.
5. Com a chave de caixa de 10 mm, soltar a agulheta (3) e retirá-la da pistola.
6. Limpar bem as peças desmontadas.
7. Verificar as peças procurando partes desgastadas ou danificadas e, no caso de estas existirem, montar a pistola Airless usando peças novas.



**Lubrificar todas as guarnições e peças móveis antes da montagem com massa consistente de lítio.**

8. Deslizar o alojamento traseiro até à cavilha retrátil e fixar usando a porca de fixação.
9. Se o gatilho estiver a ser pressionado, montar o difusor na parte frontal do cabeçote da pistola e fixar usando uma chave de parafusos.
10. Voltar a montar a agulheta na pistola.
11. Colocar a mola de pressão (2), apertar o parafuso de fixação (1) até ao batente.
12. Se necessário regular o invólucro da seguinte forma.

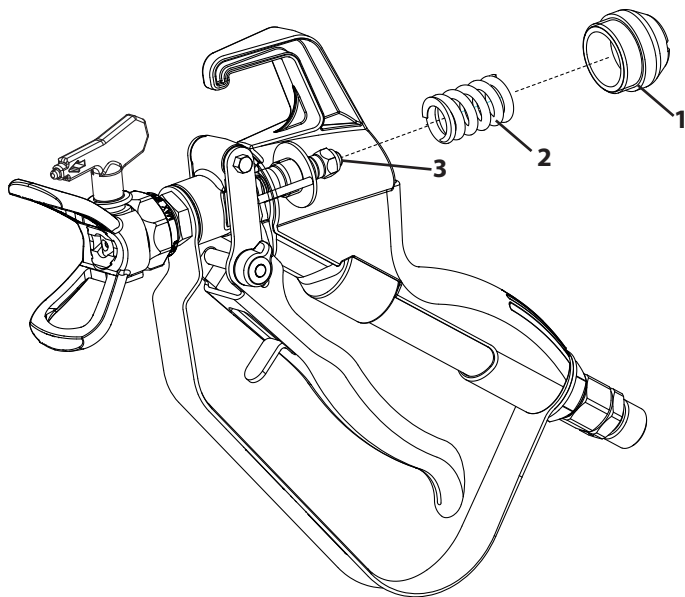
## Regulação posterior do invólucro



**No parafuso de fixação (1) existe um orifício. Se sair material de revestimento por aí deverá regular o invólucro.**

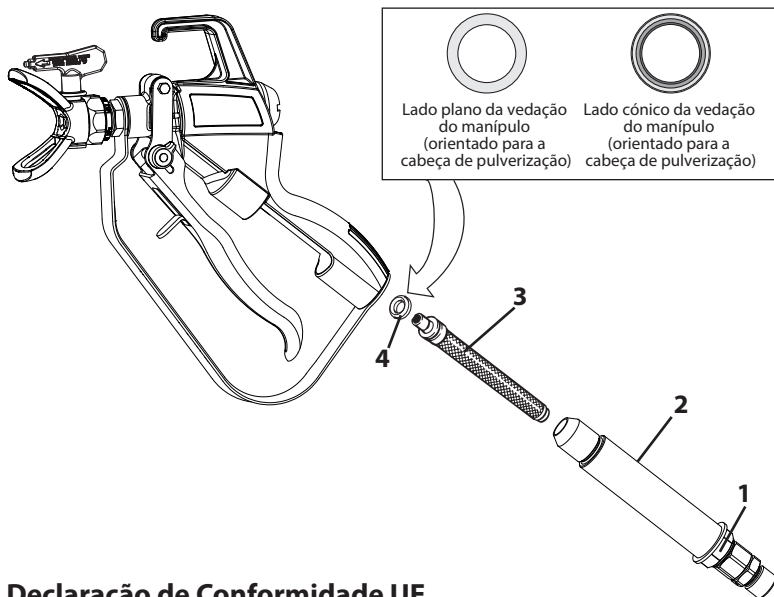
1. Desparafusar o parafuso de fixação (1) com uma chave de fendas de pontas chatas (2) e retirar a mola de pressão.
2. Com a chave de caixa de 10 mm rodar a placa de pressão um quarto para a direita.
3. Colocar a mola de pressão (2), apertar o parafuso de fixação (1) até ao batente.

Se isso não ajudar procurar a ajuda de um serviço de assistência Titan.



## Substituir e desmontar o filtro

1. Soltar a união roscada (1) com uma chave de parafusos e retirar a estrutura do filtro (2) e o filtro (3) da pistola.
2. Retirar o filtro antigo da estrutura do filtro.
3. Colocar o novo filtro na estrutura do filtro com a extremidade estreita voltada para cima.
4. Introduzir a vedação do manípulo (4) com o lado plano virado para o cabeçote da pistola.
5. Colocar a estrutura do filtro (3) novamente na pistola e aparafusar.



## Declaração de Conformidade UE

Pela presente garantimos, soba nossa exclusiva responsabilidade, que este produto cumpre com as correspondentes disposições:

2006/42/CE, 2014/34/UE, 2011/65/UE,

Normas harmonizadas aplicadas:

EN ISO 12100, EN 1953, EN ISO 80079-36

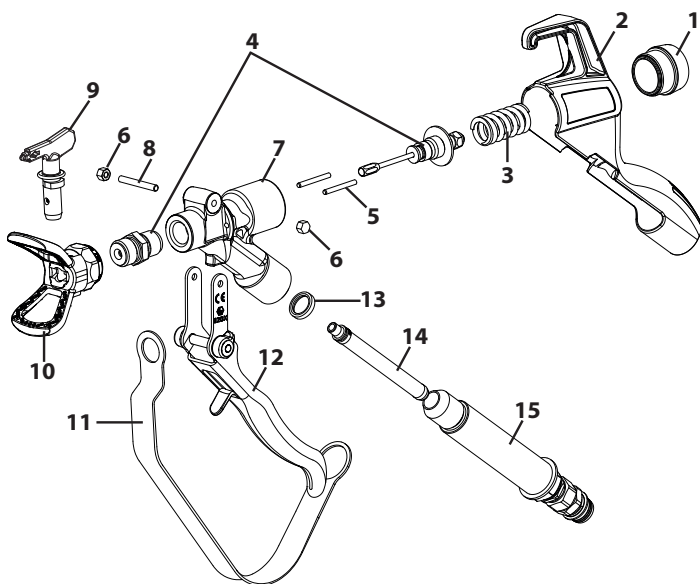


A Declaração de Conformidade EU é fornecida juntamente com o produto.

Se necessário, pode ser pedido novo exemplar desta declaração com o número de encomenda **2389342**.



# Lista de peças sobressalentes



Pos.	N.º art.	Designação
1	0335301 2339659	Parafuso de fixação (250 bar) Parafuso de fixação (530 bar)
2	2332588	Pega
3	2344878 0347335	Mola de pressão (250 bar) Mola de pressão (530 bar)
4	2347489	Vedação e difusor
5	2332598	Pino cilíndrico
6	9910403	Porca de cobertura
7	2343066 2343158	Estrutura da pistola (250 bar) Estrutura da pistola (530 bar)
8	2343085	Cavilha

Pos.	N.º art.	Designação
9	662-xxx 696-xxx	Agulheta SC6+ (250 bar) Agulheta TR High Pressure (530 bar)
10	0289228 661-027	Suporte da agulheta 250 bar Suporte da agulheta 530 bar
11	2332605	Estribo de proteção
12	2333189	Gatilho compl.
13	0043303	Vedação do manípulo
14	0089958 0089957	Filtro de pistola (branco, 2 unid.) Filtro de pistola (verde, 2 unid.)
15	2347490 2347492	Peça roscada compl. (250 bar) Peça roscada compl. (530 bar)

## Veiligheidsrichtlijnen



**Neem altijd de veiligheidsvoorschriften in acht! Alle lokale en nationale verordeningen inzake ventilatie, brandpreventie en bediening moeten in acht worden genomen.**



**GEVAAR: Persoonlijk letsel door injectie**

**Een straal onder hoge druk afkomstig uit dit apparaat is krachtig genoeg om de huid en het onderliggende weefsel binnen te dringen, hetgeen kan leiden tot ernstig persoonlijk letsel waarbij zelfs amputatie noodzakelijk kan blijken. Raadpleeg onmiddellijk een arts.**

**BEHANDEL PERSOONLIJK LETSEL T.G.V. INJECTIE NIET ALS EEN SIMPELE SNEE! Injectie kan tot amputatie leiden. Raadpleeg onmiddellijk een arts. Breng uw arts op de hoogte met welk soort coatingmateriaal of reinigingsmiddel het letsel is veroorzaakt.**

- NOOIT het pistool op enig lichaamsdeel richten.
- NOOIT een lichaamsdeel in de vloeistofstraal houden. NIET met een lichaamsdeel een eventuele lekkage in de vloeistofslang proberen af te dichten.
- NOOIT uw hand voor het pistool houden. Handschoenen geven geen bescherming tegen persoonlijk letsel door injectie.
- NOOIT het spuitpistool op een persoon richten.
- ALTIJD de trekker van het pistool vergrendelen, de compressor uitschakelen en de druk laten ontsnappen voordat u het apparaat een onderhoudsbeurt geeft, de spuitmond of beschermkap daarvan schoonmaakt, de spuitmond verwisselt of het apparaat onbeheerd achterlaat. Uitschakelen van de compressor motor betekent niet automatisch dat het systeem drukloos wordt. De PRIME/SPRAY (doorspuiten/ spuiten) selectiehandel in de stand PRIME zetten om de druk te laten ontsnappen! Voor gedetailleerde informatie over de te volgen PROCEDURE voor het drukloos maken van het apparaat, zie de compressorhandleiding.
- ALTIJD de beschermkap van de spuitmond tijdens het spuiten op zijn plaats laten. De beschermkap van de spuitmond geeft enige bescherming, maar is hoofdzakelijk een waarschuwingmiddel.
- ALTIJD de spuitmond verwijderen alvorens het systeem door te spoelen of te reinigen.
- Er kan lekkage in de verfslang ontstaan ten gevolge van slijtage, knikken van de slang of verkeerd gebruik. Een lek kan de oorzaak zijn van het feit dat spuitlak in de huid terechtkomt. Controleer de slang voor elk gebruik.
- NOOIT een spuitpistool gebruiken waarvan de vergrendeling van de trekker niet werkt en de beschermkap van de trekker niet op de juiste plaats zit.
- Alle accessoires dienen minimaal geschikt te zijn voor gebruik op de maximale toegestane bedrijfsdruk van de nevelspuitinstallatie. Dit geldt tevens voor de spuitmonden, verlengstukken en slang.



**GEVAAR: Explosiegevaar T.G.V gebruik van ongeschikte stoffen**  
**- dit heeft ernstig persoonlijk letsel of materiële schade tot gevolg.**

- Gebruik geen stoffen die bleekmiddel of chloor bevatten.
- Gebruik geen oplosmiddelen die halogeenkoolwaterstoffen bevatten, zoals bleek, meeldauwbestrijdingsmiddel, methylchloride en 1,1,1-trichloroethaan. Deze zijn ongeschikt voor gebruik in combinatie met aluminium.
- Neem contact op met uw coating-fabrikant inzake de geschiktheid van stoffen op aluminium.



**GEVAAR: Algemeen**  
**- dit kan ernstig persoonlijk letsel of materiële schade tot gevolg hebben.**

1. Lees alle instructies en veiligheidsvoor-zorgsmaatregelen voordat u het toestel bedient.
2. Spuit nooit dichtbij een ontstekingsbron (zoals open vuur, sigaretten – ook sigaren en pijpen zijn ontstekingsbronnen – vonken, hete elektriciteitskabels en hete oppervlakten).
3. Draag een beademingsuitrusting wanneer u aan het spuiten bent. Degene die het spuitpistool bedient, dient een veiligheidsmasker te dragen. Volg de voorschriften van de fabrikant van de stoffen, oplosmiddelen en reinigingsmiddelen wanneer u het apparaat voorbereidt, ermee werkt of dit reinigt, om te voorkomen dat u ziek wordt op uw werk. Veiligheidskleding, -handschoenen en -bril en, in sommige gevallen, ook veiligheids crème zijn noodzakelijk om de huid te beschermen.
4. Volg de waarschuwingen en instructies van de fabrikant van het coatingmateriaal en de oplosmiddelen op.
5. Afzuigapparatuur dient door de gebruiker geïnstalleerd te worden overeenkomstig de ter plekke geldende voorschriften.
6. De te spuiten objecten moeten geard zijn.
7. Controleer voor elk gebruik alle slangen op inkervingen, lekkage, slijtage of uitstulping van de omhulling. Controleer op schade van of speling in verbindingstukken. Vervang de slang meteen indien zich een van deze situaties voordoet. Repareer een verfslang nooit. Vervang de slang door een andere geaarde hogedrukslang.
8. Bediening van de trekker veroorzaakt een terugslag van de hand die het spuitpistool vasthoudt. De terugslag van het spuitpistool is bijzonder krachtig wanneer de spuitmond is verwijderd en de nevelcompressor op een hoge spuitdruk is ingesteld. Zet de drukregelaar op de laagst mogelijke stand alvorens de spuitmond te verwijderen en de apparatuur te reinigen.
9. Gebruik alleen onderdelen die door de fabrikant zijn goedgekeurd. De gebruiker neemt alle risico's en de aansprakelijkheid op zich wanneer hij onderdelen gebruikt die niet voldoen aan de minimale specificaties en veiligheidsrichtlijnen zoals opgesteld door de fabrikant van het spuitpistool.



## EXPLOSIEBESCHERMING-MARKERING

### X-markering:

Het spuitpistool is in overeenstemming met Ex II 2G c IIC T6 X en is conform richtlijn 2014/34 EU geschikt om gebruikt te worden in een ruimte waar explosiegevaar bestaat, dat wil zeggen in zones van het type 1. Onder bepaalde omstandigheden kan het toestel zelf de oorzaak ervan zijn dat zich de condities van een zone van het type 1 voordoen.

Alle afvoer van statische elektriciteit van het spuitpistool dient, zoals voorgeschreven, via de geleidende hogedrukslang naar de geaarde hogedrukcompressor te worden afgeleid. De max. oppervlaktetemperatuur komt overeen met de toegestane materiaalt temperatuur. Deze en de toegestane omgevingstemperatuur zijn in het hoofdstuk „Technische gegevens“ te vinden.

Oefen geen overmatige kracht uit op de apparatuur en werk niet met gereedschap aan de installatie in ruimtes waar explosiegevaar bestaat, om vonkvorming te voorkomen.

## RESTRISICO'S

Restrisico's zijn risico's, die niet uitgesloten kunnen worden, zelfs wanneer de apparatuur gebruikt wordt voor het beoogde doel.

In dergelijke gevallen zullen de toepasselijke gebieden van de actuele restrisico's gesignaleerd worden door waarschuwings- en / of verbodssignalen.

Risico	Bron / Oorzaak	Gevolg	Preventieve maatregelen	Kan zich voordoen tijdens:
Injectie-letsel	Stroom van de verstoven vloeistof onder hoge druk	Ernstig letsel of amputatie	Richt NOOIT het pistool op een deel van het lichaam	Installatie, Bediening
Explosie of brand	Statische elektriciteit of vonken	Ernstig letsel	Gebruik een goed geventileerde ruimte. Aard het spuitpistool	Bediening
Gevaarlijke dampen	Gevaarlijke dampen van het spuitmateriaal	Ernstig letsel	Gebruik een goed geventileerde ruimte Gebruik een masker	Bediening

# Technische gegevens

	M-4	M-8
<b>Maximaal toegestane bedrijfsdruk</b>	25 MPa (250 bar, 3600 PSI)	53 MPa (530bar, 7700 PSI)
<b>Schroefdraad aansluiting inlaatzijde</b>	3/8" NPS	1/4" NPS
<b>Schroefdraad aansluiting diffuser</b>	7/8" NPS	7/8" NPS
<b>Materiaal delen die met te verwerken middelen in aanraking komen</b>	Hoogwaardig roestvrij staal, aluminum, PTFE, hardmetaal	
<b>Bedrijfstemperatuurbereik</b>	5°C bis 40°C (41°F bis 104°F)	
<b>Max. toegestane temperatuur materiaal</b>	43°C (109°F)	
<b>Gewicht (compl. incl. mondstukhouder en mondstuk)</b>	680 g (1,5 lbs)	

## Inleiding

Dit nevelspuitpistool wordt gebruikt om vloeibare coatingstoffen onder hoge druk te vernevelen.

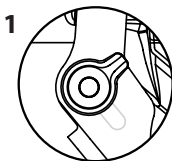
De 250 bar-versie is vooral geschikt voor de verwerking van spuitplamuur.

De 530 bar-versie wordt aanbevolen voor Protective Coating-toepassingen en voor het gebruik met alle pompen, die een overeenkomstig hoge druk genereren.

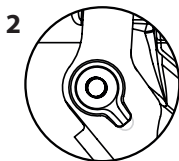
## Het gebruik van de vergrendeling van de trekker van het pistool

De trekker van het pistool altijd vergrendelen wanneer u het pistool niet gebruikt.

1. Voor het vergrendelen van de trekker, de trekkerborging naar boven tot de aanslag draaien.
2. Voor het ontgrendelen van de trekker, de trekkerborging naar beneden draaien.



Trekker vergrendeld  
(spuiten met pistool  
niet mogelijk)



Trekker ontgrendeld  
(spuiten met pistool  
mogelijk)

## Pistoolfilter



In de M-4 / M-8 is geen pistoolfilter voormonteerd. Afhankelijk van het te verwerken materiaal wordt aanbevolen om een pistoolfilter te gebruiken dat past bij het mondstuk. Let op: Bij de verwerking van spuitplamuur en dergelijke materialen geen pistoolfilter gebruiken, omdat het filter anders verstopt raakt.

## In gebruik nemen

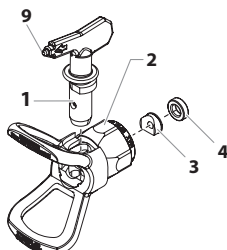


Altijd eerst het spuitsysteem drukloos maken voordat u het pistool, de spuitmond of de beschermkap van de spuitmond in elkaar zet, vervangt of reinigt. Volg de 'procedure voor het drukloos maken van de installatie' zoals vermeld in de handleiding bij de spuitinstallatie.



Altijd de beschermkap van de spuitmond gebruiken voor extra bescherming tegen injectie. Wees erop bedacht dat de beschermkap op zichzelf niet voldoende bescherming tegen injectie biedt. Nooit de beschermkap van de spuitmond afsnijden. De trekker van het pistool altijd vergrendelen wanneer u het pistool niet gebruikt. Voordat u het toestel een onderhoudsbeurt geeft altijd eerst de handleiding raadplegen en alle waarschuwingen opvolgen.

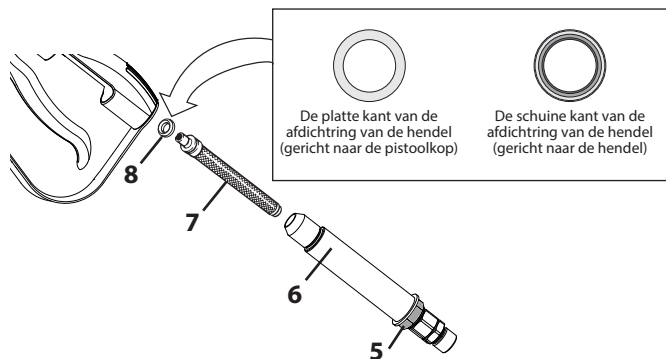
1. Mondstuk (1) en mondstukbescherming (2) van het Airless-pistool verwijderen.
2. De mondstukbescherming op het Airless-pistool inschroeven. De mondstukbescherming in de gewenste spuitrichting zetten en vasttrekken.
3. Het mondstuk (1) in de opening van de mondstukbescherming plaatsen.



4. De mondstukbescherming op het Airless-pistool inschroeven. De mondstukbescherming in de gewenste spuitrichting zetten en vasttrekken.



Om te kunnen spuiten, moet de pijl op de hendel van de spuitmond naar voren wijzen.



5. Schroefverbinding (5) met schroef sleutel losdraaien en filterbehuizing (6) en filter (7) uit pistool trekken.
6. Geschikt pistoolfilter (7) in filterbehuizing (6) plaatsen (smal einde van het filter wijst naar boven).
7. Plaats de afdichting van de hendel in de pistoolkop, waarbij de platte kant van de afdichting naar de pistoolkop dient te wijzen.
8. Filterbehuizing (6) weer in pistool plaatsen en vastschroeven.
9. Een voor de druk geschikte originele hogedrukslang van Titan op de materiaalingang van het Airless-pistool aansluiten. Maak gebruik van twee sleutels (een voor het pistool en een voor de slang) om alles goed vast te maken.



**Controleer voor de aansluiting op het Airless-spuitapparaat, dat alle onderdelen van het pistool en de slang vast en veilig vastgeschroefd zijn.**

## Bediening

1. Om te kunnen spuiten, moet de pijl op de hendel van de spuitmond naar voren wijzen.
2. Start de spuitinstallatie. Voor instructies betreffende de ingebruikname, zie de handleiding van de spuitinstallatie.
3. Pas de vloeistofdruk van de spuitinstallatie aan totdat de sproeier een keurige spuitnevel levert. Altijd op de laagst mogelijke druk werken om het gewenste resultaat te bereiken.



**De spuitmond bepaalt de grootte van het spuitpatroon en de dekking. Indien u meer dekking nodig hebt, dient u een grotere spuitmond te gebruiken en niet de vloeistofdruk te vergroten.**

4. Het doorspuiten van een verstopte spuitmond:
  - a. Draai de spuitmond 180° zodat de pijl op de hendel van de spuitmond naar de andere kant wijst.
  - b. Activeer het pistool eenmaal om ervoor te zorgen dat de druk de verstopping eruit spuit.



Let op

**De trekker nooit meer dan één keer achterelkaar induwen wanneer de spuitmond de andere kant op wijst.**

- c. Ga hiermee door totdat de verstopping uit de spuitmond is gespoten.

## Het vervangen van een spuitmond

Spuitmonden kunnen gemakkelijk worden verwijderd en vervangen zonder dat het pistool uit elkaar gehaald moet worden.

### Spuitmond kiezen

Gebruik, om de grootte van de te gebruiken spuitmond vast te stellen, de volgende formule. In dit voorbeeld zal een "517" spuitmond gebruikt worden.

Het eerste cijfer met twee vermenigvuldigd, geeft de grootte van het spuitpatroon weer wanneer op een afstand van 12 inch (30,5 cm) van het werkoppervlak gespoten wordt:

$5 \times 2 =$  een spuitpatroon ter grootte van 10 inch (25 cm)

De volgende twee cijfers geven de doorsnee van de uitstroomopening van de spuitmond weer:

**17** = een uitstroomopening van 0,017 inch (0,43 cm)



**Altijd eerst de 'procedure voor het drukloos maken van de installatie' volgen voordat u de spuitmond of de beschermkap van de spuitmond vervangt of reinigt.**

1. Volg de 'procedure voor het drukloos maken van de installatie' zoals vermeld in de handleiding bij de spuitinstallatie.
2. Verwijder de spuitmond uit het slobgat van de beschermkap van de spuitmond.
3. Breng de nieuwe spuitmond in het slobgat van de beschermkap van de spuitmond in. Om te kunnen spuiten, moet de pijl op de hendel van de spuitmond naar voren wijzen.

## Het verwijderen van de afdichtring en de afdichtring van de spuitmond

1. Verwijder de spuitmond en de beschermkap van de spuitmond van het spuitpistool.
2. Verwijder de afdichtring en de afdichtring van de spuitmond van de achterkant van de beschermkap van de spuitmond.



**Versleten mondstukken hebben een slechter spuitbeeld en leiden tot een verhoogd materiaalverbruik alsmede geringere spuitstraalbreedte. Vervang versleten spuitmonden onmiddellijk.**



## Reinigen

Eine gründlich gereinigte Airless Pistole ist für den einwandfreien Betrieb unerlässlich. Spoel het pistool na elk gebruik uit en bewaar het op een droge plaats. Laat het pistool of enig onderdeel daarvan nooit in water of oplosmiddelen liggen.



**Indien u ontvlambare oplosmiddelen gebruikt, volg dan de volgende speciale schoonmaakinstructies:**

- Het spuitpistool bij voorkeur altijd buiten uitspoelen terwijl u tenminste een slanglengte van de compressor verwijderd bent.
- Indien u de uitgespoelde oplosmiddelen opvangt in een metalen 4 liter (1 gallon) container, dient u deze container in een lege 20 liter (5 gallons) container te plaatsen voordat u de oplosmiddelen uitspoelt.
- In het werkbereik mogen zich geen ontvlambare dampen ophopen en er moet voor een goede ventilatie gezorgd worden.
- Volg alle overige reinigingsinstructies.



Let op

**Het spuitapparaat, de slang en het Airless-spuitpistool moeten na elk gebruik grondig gereinigd worden, omdat anders het gebruikte materiaal kan vastkleven en het vermogen van het apparaat aanzienlijk verminderd wordt.**



**Altijd met de laagst mogelijke druk spuiten, als mondstuk en mondstukbescherming verwijderd zijn. Voor het reinigen van Airless-pistool, slang en spuitapparaat alleen water resp. een geschikt oplosmiddel gebruiken.**

## Onderhoud

**Voordat u verder gaat, volg alle veiligheids-instructies op zoals vermeld in de sectie 'Veiligheidsinstructies' van deze handleiding.**



**Voor identificatie van de onderdelen, zie de sectie 'Lijst van Onderdelen' in deze handleiding.**

### Vervanging van respectievelijk onderhoud aan de afdichting

Als op het Airless-pistool materiaal naar buiten komt, ondanks dat de trekker niet bediend wordt, zijn de naald of de naaldzitting versleten, beschadigd of vervuild en moeten gereinigd of vervangen worden.



**Altijd eerst de 'procedure voor het drukloos maken van de installatie' volgen voordat u het spuitpistool een onderhoudsbeurt geeft.**

1. De materiaalslang loskoppelen van het Airless-pistool.  
Neem voor de volgende stappen ook de afbeelding op pagina 83 in acht.
2. Verwijder de spuitmond en de beschermkap van de spuitmond.
3. Verwijder de diffuser van de voorkant van het pistool terwijl u de trekker ingedrukt houdt.
4. Afdekschroef (1) met een platte schroevendraaier afschroeven, drukveer (2) verwijderen.
5. Met steeksleutel 10 mm de naald (3) losmaken en uit de pistool trekken.
6. De gedemonteerde onderdelen grondig reinigen.
7. Controleer de onderdelen op slijtage en beschadiging en gebruik, indien nodig, nieuwe onderdelen wanneer u het pistool weer in elkaar zet.



**Smeer alle pakkingen en bewegende onderdelen in met smeervet op basis van lithium voordat u het pistool weer in elkaar zet.**

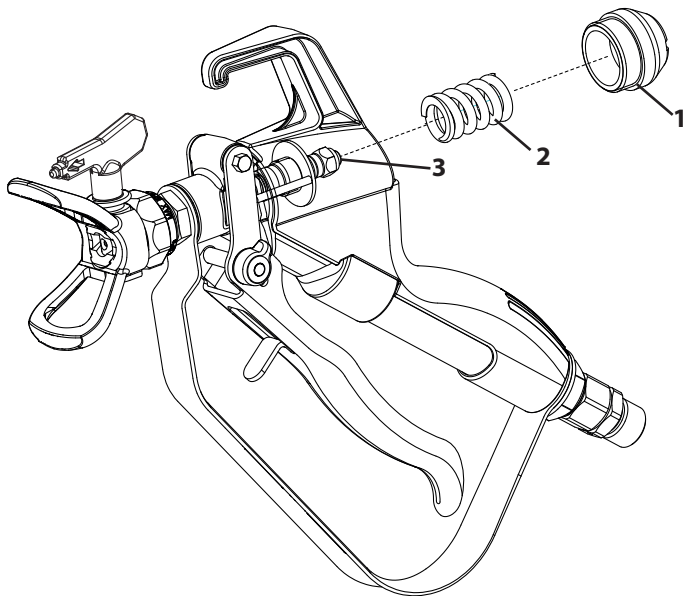
8. Schuif de achterste behuizing op de terugtrekpin en zorg er voor, met behulp van de vergrendelingsmoer, dat die in deze positie blijft.
9. Installeer de diffuser aan de voorkant van de pistoolkop terwijl u de trekker ingedrukt houdt en maak de diffuser vervolgens met behulp van een sleutel goed vast.
10. Naald weer in pistool plaatsen.
11. Breng de drukveer (2) aan, draai de afdekschroef (1) tot aan de aanslag vast.
12. Indien nodig pakking instellen zoals hieronder beschreven.

## Bijstellen van de dichtingsmanchet



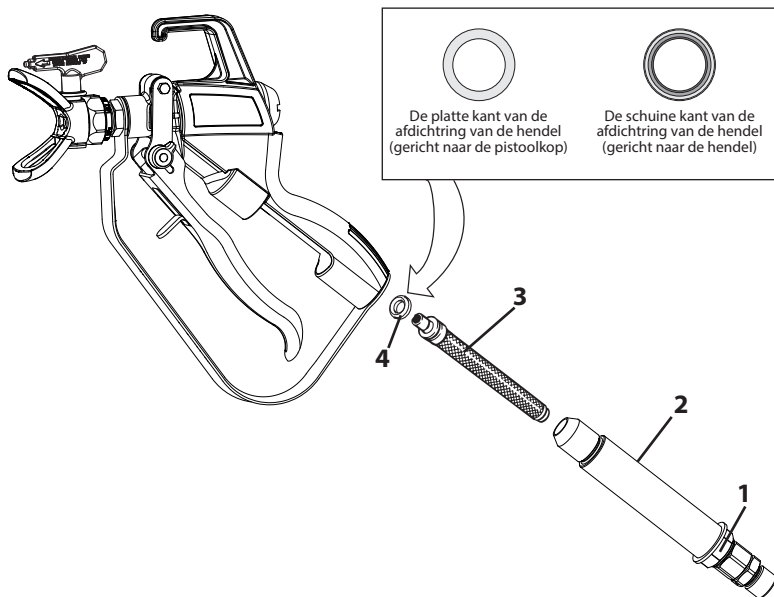
In de afdekschroef (1) bevindt zich een boring. Als daarlangs coatingmateriaal naar buiten komt, moet de dichtingsmanchet worden bijgesteld.

1. Afdekschroef (1) met een platte schroevendraaier afschroeven, drukveer (2) verwijderen.
2. Met steeksleutel 10 mm (4) de drukplaat een kwart toer naar rechts draaien.
3. Breng de drukveer (2) aan, draai de afdekschroef (1) tot aan de aanslag vast.  
Als dit niet helpt, dan a.u.b. contact opnemen met een Titan-servicestation.



## Vervanging/verwijdering van het filter

1. Schroefverbinding (1) met schroefsleutel losdraaien en filterbehuizing (2) en filter (3) uit pistool trekken.
2. Het oude filter uit de filterbehuizing verwijderen.
3. Het nieuwe filter met het smalle einde naar boven in de filterbehuizing plaatsen.
4. Plaats de afdichtring van de hendel in de pistoolkop, waarbij de platte kant van de afdichtring naar de pistoolkop dient te wijzen.
5. Filterbehuizing (3) weer in pistool plaatsen en vastschroeven.



## EU-conformiteitsverklaring

Wij verklaren dat dit product voldoet aan de volgende normen:

2006/42/EG, 2014/34/EU, 2011/65/EU

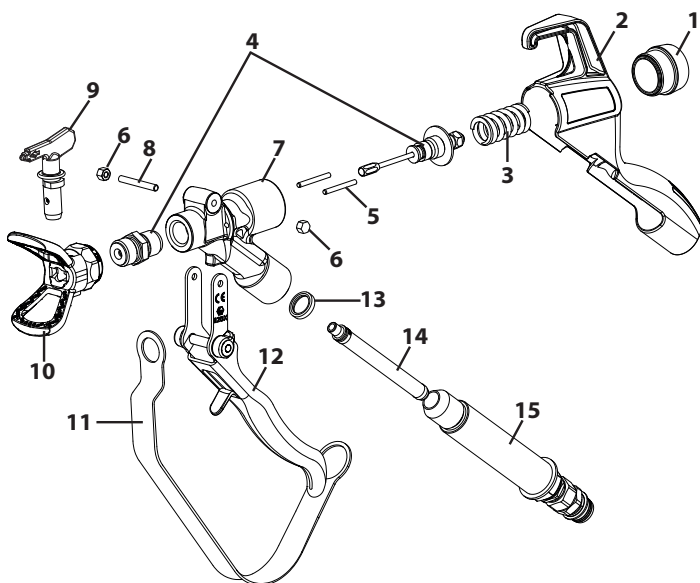
En normatieve documenten:

EN ISO 12100, EN 1953, EN ISO 80079-36



De EU-conformiteitsverklaring wordt met het product meegeleverd. Indien nodig kan de verklaring met bestelnummer **2389342** worden nabesteld.

# Lijst van onderdelent



Pos.	Bestelnr.	Benaming
1	0335301 2339659	Afdekschroef (250 bar) Afdekschroef (530 bar)
2	2332588	Handvat
3	2344878 0347335	Drukveer (250 bar) Drukveer (530 bar)
4	2347489	Afdichting en diffuser
5	2332598	Cilindrische pen
6	9910403	Dopmoer
7	2343066 2343158	Pistoolbehuizing 250 bar Pistoolbehuizing 530 bar
8	2343085	Bout
9	662-xxx 696-xxx	SC6+ spuitdop (250 bar) TR High Pressure spuitdop (530 bar)
10	0289228 661-027	Mondstukhouder 250 bar Mondstukhouder 530 bar

Pos.	Bestelnr.	Benaming
11	2332605	Beschermbeugel
12	2333189	Trekker compl.
13	0043303	Handvatafdichting
14	0089958 0089957	Filter (wit, 2 stuks) Filter (groen, 2 stuks)
15	2347490 2347492	Inschroefstuk compl. 250 bar Inschroefstuk compl. 530 bar

# Sikkerhedsforanstaltninger



Vær sikkerhedsbevidst! Følg alle relevante lokale og nationale lovforskrifter vedrørende ventilation, brandprævention og drift.



**FARE: Injektionsskade**

En højtryksstråle frembragt af dette apparat kan gennemtrænge huden og det underliggende væv, hvilket kan medføre alvorlig personskade og risiko for amputation. Søg øjeblikkeligt læge.

**BEHANDL IKKE EN INJEKTIONSSKADE SOM ET ALMINDELIGT SÅR!**  
Injektion kan føre til amputation. Søg øjeblikkeligt læge. Informér lægen om hvad det er for en type maling eller rensmiddel, der forårsagede skaden.

- Sigt ALDRIG pistolen mod nogen del af kroppen.
- Tillad ALDRIG nogen del af kroppen at berøre væskestrømmen. LAD IKKE kroppen komme i berøring med en utæthed i væskeslangen.
- Sæt ALDRIG hånden foran pistolen. Handsker yder ikke beskyttelse mod injektionsskade.
- Sigt ALDRIG sprøjtepistolen mod nogen anden.
- Lås ALTID pistolaftrækkeren, sluk for pumpen, og aftag al tryk før serviceeftersyn, rensning af spids eller værn, udskiftning af spids, eller før anlægget forlades uden opsyn. Trykket aftages ikke ved at motoren slukkes. For at aftage trykket skal PRIME/ SPRAY [SNAPSE/ SPRØJTE] ventilhåndtaget vendes mod PRIME. Der henvises til "Trykafastningsprocedure" beskrevet i pumpemanualen.
- Hold ALTID spidsens værn på plads, imens der sprøjtes. Spidsens værn yder nogen beskyttelse, men det er hovedsageligt en advarselsanordning.
- Fjern ALTID sprøjtespidsen, før systemet skylles eller renses.
- Farveslangen kan udvikle utætheder på grund af slitage, snoninger og mishandling. En utæthed kan sprøjte materiale ind i huden. Kontrollér slangen før hver anvendelse.
- Anvend ALDRIG en sprøjtepistol, uden at der er en fungerende aftrækkerlås og aftrækkerbøjle på plads.
- Alt tilbehør skal være klassificeret ved eller over den luftløse sprøjtes maksimale arbejdsstrykniveau. Dette inkluderer sprøjtespidser, forlængere, og slange.



### **FARE: Eksplosionsfare forårsaget af uforenelige materialer**

**- vil forårsage alvorlig personskade eller ejendomsskade.**

- Anvend ikke materialer, der indeholder blegemidler eller klorin.
- Anvend ikke halogenerede kulbrinte-opløsningsmidler, såsom blegemidler, meldugfungicider, metylenklorid og 1,1,1 - trikloroetan. De er ikke forenelige med aluminium.
- Kontakt Deres leverandør af maling om forenelighed af materialer med aluminium.



### **FARE: Generel**

**Kan forårsage alvorlig personskade eller ejendomsskade.**

1. Læs alle instruktioner og sikkerhedsforanstaltninger, før udstyret tages i brug.
2. Sprøjt aldrig nær antændelseskilder; eksempler herpå er åben ild, cigaretter —cigarer og piber er også antændelseskilder—, gnister, varme tråde, varme overflader, osv.
3. Bær åndedrætsudstyr, når der sprøjtes. Beskyttelsesmaske skal stilles til rådighed for operatøren. Til forebyggelse af arbejdsrelaterede sygdomme, skal producentens foreskrifter for de anvendte materialer, opløsningsmidler samt rensedmidler imødekommes, når enheden klargøres, drives og renses. Beskyttelsestøj, handsker, øjenværn, og, i visse tilfælde, beskyttende hudcreme er nødvendige for at beskytte huden.
4. Følg malings- og opløsningsmiddel-producentens advarsler og instruktioner.
5. Ekstraktionsanlæg skal installeres af brugeren i overensstemmelse med lokale forordninger.
6. De genstande, der sprøjtes, skal være jordforbundne.
7. Kontrollér alle slanger for snit, utætheder, slitage eller udbuling af beklædningen, før hver anvendelse. Kontrollér om koblinger er beskadiget eller har flyttet sig. Udskift øjeblikkeligt slangen, hvis nogen af disse forhold er tilstede. Reparér aldrig en farveslange. Udskift den med en anden jordforbunden højtryksslange.
8. Tryk på aftrækkeren bevirker, at den hånd, som holder sprøjtepistolen, får et tilbageslag. Kraften af sprøjtepistolens tilbageslag er især stort, når spidsen er blevet fjernet, og den luftløse højtrykspumpe er sat på højtryk. Når der renses uden spids, skal trykkontrolventilen sættes til laveste tryk.
9. Anvend kun dele, der er godkendt af producenten. Bruger påtager sig enhver risiko og ethvert ansvar, når der anvendes dele, som ikke imødekommer sprøjtepistolproducentens minimumsspecifikationer og sikkerhedsanordninger.



## EKSPLOSIONSBESKYTTELSE-MÆRKNING

**X markering:** Sprøjtepistolen korresponderer med Ex II 2G c IIC T6 X og er i overensstemmelse med Directive 2014/34 EU, egnet til anvendelse på eksplosionsfarlige steder—såsom af typen Zone 1. Under visse omstændigheder kan selve enheden bevirke, at Zone 1 tilstanden er i funktion.

Enhver statisk-elektrisk udladning fra sprøjtepistolen skal omdirigeres til den jordforbundne højtrykspumpe via den ledende højtryksslange, som betinget.

Den maksimale overfladetemperatur svarer til den tilladte materialetemperatur. Denne og den tilladte omgivende temperatur findes i kapitlet „Tekniske specifikationer“.

Undgå dannelse af gnister fra maskinen ved at undgå kollisionsbelastning og ved at undgå enhver form for arbejde på enheden med værktøj på det eksplosionsfarlige sted.

## RESTERENDE RISICI

Resterende risici er risici, som ikke kan udelukkes, selv når udstyret bruges til det tilsigtede formål.

I disse tilfælde advarer advarsels- og/eller forbudsskilte, som er anbragt i vedkommende områder, om de aktuelle resterende risici.

Risiko	Kilde / Årsag	Virkning	Forebyggende foranstaltninger	Kan forekomme under:
Indsprøjtningstilskadekomst	En stråle forstøvet væske under højtryk	Alvorlig tilskadekomst eller amputation	ALDRIG sigt på nogen kropsdel med pistolen	Opstilling, drift
Ekspllosion eller brand	Statisk elektricitet eller gnister	Alvorlig tilskadekomst	Brug i et godt udluftet område Sprøjtepistolen skal være jordet	Drift
Sundhedsfarlige dunster	Sundhedsfarlige dunster fra sprøjtematerialet	Alvorlig tilskadekomst	Brug i et godt udluftet område Brug åndeværnsmaske	Drift



# Tekniske specifikationer

	M-4	M-8
<b>Maksimalt arbejdstryk</b>	25 MPa (250 bar, 3600 PSI)	53 MPa (530 bar, 7700 PSI)
<b>Materiale indløbsgevindstørrelse</b>	3/8" NPS	1/4" NPS
<b>Spreader gevindstørrelse</b>	7/8" NPS	7/8" NPS
<b>Materiale af dele der vædes</b>	Stål af høj kvalitet, aluminium, PTFE, hærdet metal	
<b>Driftstemperaturudsving</b>	5°C - 40°C (41°F - 104°F)	
<b>Maksimal materialetemperatur</b>	43°C (109°F)	
<b>Vægt (komplet med dyseholder og dyse)</b>	680 g (1,5 lbs)	

## Introduktion

Denne luftløse sprøjtepistol er beregnet på anvendelse til højtryksforstøvning af flydende malematerialer.

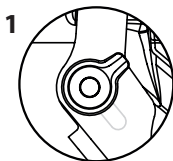
Modellen til 250 bar er specielt egnet til forarbejdning af spartelmasse til sprøjtning.

Modellen til 530 bar anbefales til påførelse af beskyttelseslag og til anvendelse sammen med alle pumper, der producerer et tilsvarende højt tryk.

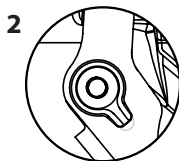
## Brug af pistolens aftrækkerlås

Aktivér altid pistolens aftrækkerlås, når pistolen ikke er i brug.

1. Drej aftrækkersikringen opad til anslag for at låse aftrækkeren.
2. Drej aftrækkersikringen nedad for at låse aftrækkeren op.



Aftrækker er låst  
(pistolen sprøjter  
ikke)



Aftrækker er låst op  
(pistolen sprøjter)

## Pistolfilter



I M-4 / M-8 er der ikke formonteret noget pistolfilter. Afhængigt af det materiale, der skal forarbejdes, anbefales det at anvende et pistolfilter, der svarer til dysen.

**OBS:** Ved forarbejdningen af spartelmasse til sprøjtning og lignende materialer, må der ikke anvendes noget pistolfilter, da filteret ellers vil stoppe til.

## Opstilling

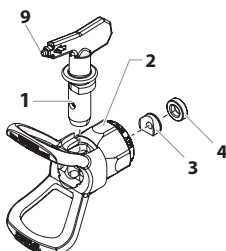


Forsøg aldrig at samle, ændre eller rense pistol, spids eller spidsens værn, uden først at aftage tryk fra sprøjtesystemet. Følg "Trykaflastningsprocedure" i sprøjteejerens manual.



Anvend altid et sikkerhedsværn til spidsen med henblik på ekstra beskyttelse mod injektion. Vær opmærksom på, at værnet ikke alene kan forhindre injektion. Skær aldrig spidsens værn af! Aktivér altid pistolens aftrækkerlås, når pistolen ikke er i brug. Før udstyret efterses, konsultér ejerens manualer og følg alle advarsler.

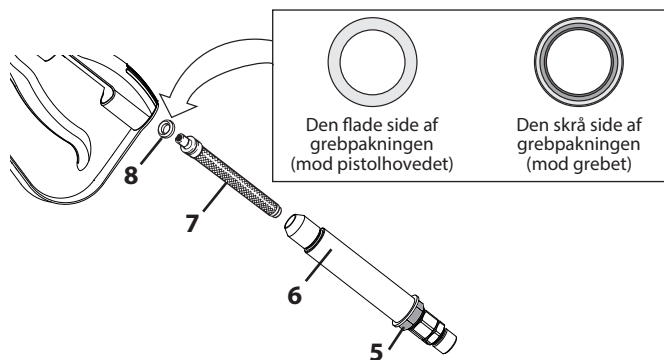
1. Fjern dysen (1) og dysebeskyttelsen (2) fra Airless-pistolen.
2. Indsæt med spidsen (9) på dysegrebet dysetætningen (3) og tætningen (4) i bagside af dysebeskyttelsen (2) og tryk dem fast.
3. Sæt dysen (1) ind i åbningen i dysebeskyttelsen.



4. Skru dysebeskyttelsen på Airless-pistolen. Indstil dysebeskyttelsen i den ønskede sprøjteretning, og stram den.



Pilen på dysens greb skal pege i fremadgående retning til sprøjtning.



5. Løsn forskruingen (5) med en skruenøgle, og træk filterhuset (6) og filteret (7) ud af pistolen.
6. Læg et egnet pistolfilter (7) ind i filterhuset (6) (filterets smalle ende vender opad).
7. Placér grebpakningen (8) i pistolhovedet med den flade side af pakningen mod pistolhovedet.
8. Sæt igen filterhuset (6) i pistolen, og skru det fast.
9. Tilslut en original højtryksslange fra Titan, der er egnet til trykket, på materialeindgangen på Airless-pistolen. Fastspænd forsvarligt, idet der anvendes 2 skruenøgler (en på pistolen og en på slangen).



**Kontroller inden tilslutningen til Airless-sprøjteapparatet, at alle pistolens dele og slangen er skruet fast og sikkert sammen.**

## Drift

1. Sørg for at pilen på spidsens greb peger i fremadgående retning til sprøjtning.
2. Start sprøjtten. Der henvises til instruktionerne i sprøjteejerens manual.
3. Justér væsketrykket på sprøjtten, indtil det påsprøjtede er helt forstøvet. Sprøjt altid ved det laveste tryk, som er nødvendigt for at få de ønskede resultater.



**Sprøjtespidsen bestemmer størrelsen af sprøjtemønster og dækning. Når mere dækning er nødvendig, anvendes en større spids istedet for øget væsketryk.**

4. Rensning af tilstoppet spids:
  - a. Rotér spidsen 180°, så pilen på spidsens greb peger i modsat retning af sprøjteretningen.
  - b. Tryk én gang på pistolens aftrækker, så trykket kan blæse tilstopningen ud.



Pas på!

**Træk aldrig på aftrækkeren mere end én gang ad gangen med spidsen i bakstilling.**

- c. Fortsæt denne procedure, indtil spidsen ikke længere er tilstoppet.

## Udskiftning af dyse

Dyser kan let fjernes og erstattes uden at adskille pistolen.

### Identifikation af mundingsstørrelse

For at identificere spidsstørrelser, skal følgende formel anvendes. Til dette eksempel anvendes en "517" mundingsstørrelse.

Det første ciffer ganget med to repræsenterer størrelsen på sprøjtemønstret, når der sprøjtes 30,5 cm (12") væk fra arbejdets overflade:

$$5 \times 2 = 10" (25,4 \text{ cm.}) \text{ sprøjtemønster}$$

De næste to cifre repræsenterer diameteren af spidsens mundingsstørrelse:

$$17 = 0,017" (0,04318 \text{ cm.}) \text{ mundingsstørrelse}$$



**Forsøg aldrig at udskifte eller rense dysen eller spidsens værn, uden først at udføre "Trykafastningsprocedure".**

1. Udfør "Trykafastningsprocedure" beskrevet i sprøjteejerens manual.
2. Fjern dysen fra spalteåbningen på spidsens værn.
3. Indsæt den nye dyse i spalteåbningen på dysens værn. Pilen på spidsens greb skal pege i fremadgående retning til sprøjtning.

### Fjernelse af pakning og spidspakning

1. Fjern dysen og dysens værn fra sprøjtepistolen.
2. Fjern pakningen og dysepakningen fra bagsiden af dysens værn.



**Slidte dyser har et dårligere sprøjtebillede og fører til et øget materialeforbrug samt en dårligere sprøjtestrålebredde. Udskift slidte dyser øjeblikkeligt.**

## Rengøring

En grundigt rengjort Airless-pistol er helt nødvendig for en tilfredsstillende funktion. Skyl pistolen efter hvert brug og opbevar den på et tørt sted. Efterlad ikke pistolen eller nogen af dens dele i vand eller opløsningsmidler.



### **Specielle rengøringsinstruktioner til anvendelse med brændbare opløsningsmidler:**

- Det anbefales altid at skylle sprøjtepistolen i det fri og mindst én slangelængde fra sprøjtepumpen.
- Hvis udskyllede opløsningsmidler samles i en 4 liters (1-gallon) metalbeholder, anbringes beholderen i en tom 20 liters (5-gallon) beholder, hvorefter opløsningsmidlerne udskylles.
- I arbejdsområdet må der ikke samle sig antædelige dampe, og der skal sørges for god ventilation.
- Følg alle rengøringsinstruktioner.



Pas på!

**Sprøjteapparatet, slangen og Airless-pistolen skal rengøres grundigt efter hver brug, da det anvendte materiale ellers kan sætte sig fast og forringe apparatets præstation betydeligt.**



**Sprøjt altid med det lavest mulige tryk, når dyse og dysebeskyttelse er fjernet. Benyt kun vand eller et egnet opløsningsmiddel til rengøring af Airless-pistol, slange og sprøjteapparat.**

## Onderhoud

Voordat u verder gaat, volg alle veiligheidsinstructies op zoals vermeld in de sectie 'Veiligheidsinstructies' van deze handleiding.



Der henvises til afsnittet: Reservedele i denne manual angående identifikation af dele.

### Udskiftning/eftersyn af pakningssamlingen

Kommer der materiale ud ved Airless-pistolen, selv om der ikke trykkes på aftrækkeren, er nål eller nålesæde slidt, beskadiget eller tilsmudset og skal rengøres eller udskiftes.



**Forsøg aldrig at udføre vedligeholdelse på sprøjtepistolen, uden først at gennemføre "Trykaflastningsprocedure".**

1. Tag materialeslangen af Airless-pistolen.  
Se også illustrationen på side 94 vedrørende de næste skridt.
2. Fjern dysen og dysens værn.
3. Fjern sprederen fra pistolens forreste del, idet aftrækkeren er presset ned.
4. Skru afdækningsskruen (1) af med en passende skruetrækker, fjern trykfjederen (2).
5. Løsn nålen (3) med 10 mm-topnøglen, og træk den ud af pistolen.
6. Rengør de afmonterede dele grundigt.
7. Inspicér delene for slid eller beskadigelse og brug nye dele under gensamlingen af pistolen, når det er nødvendigt.



**Smør alle tætninger og bevægelige dele før gensamling med en lithiumbaseret fedt.**

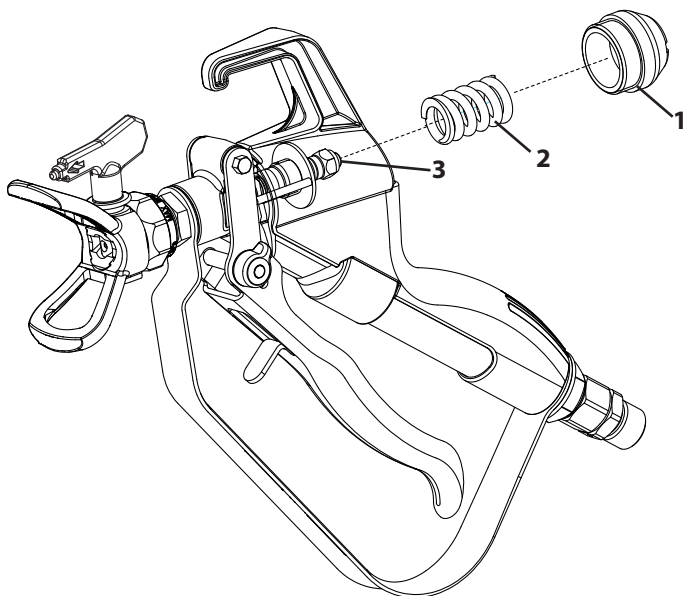
8. Skub baghuset ned over returstifterne og hold det fast i stillingen med låsemøtrikken.
9. Installér sprederen i den forreste del af pistolhovedet og fastspænd den forsvarligt med en skruenøgle, idet aftrækkeren er trykket ned.
10. Sæt nålen ind i pistolen igen.
11. Trykfjederen (2) sættes i, afdækningsskruen (1) skrues i til anslag.
12. Indstil om nødvendigt pakningen som beskrevet nedenfor.

## Justering af tætningsmanchet



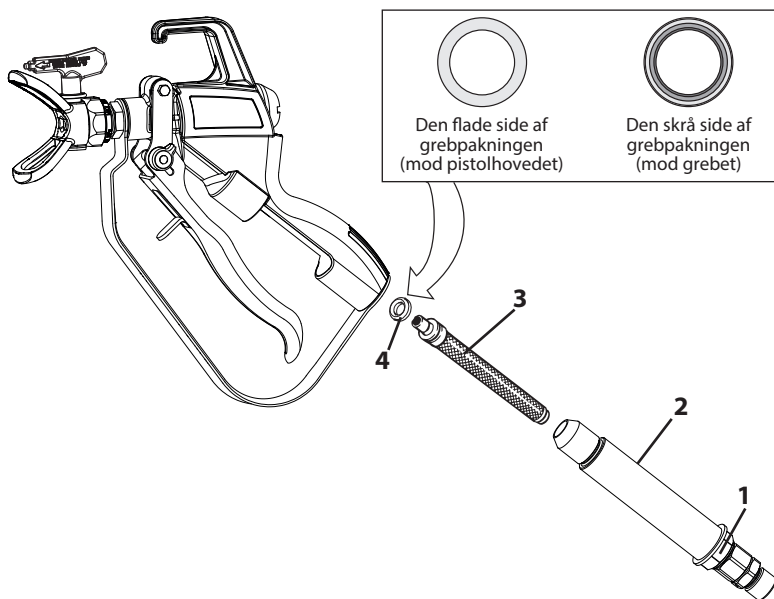
I afdækningskruen (1) er der et borehul. Trænger coatingmateriale ud her, skal tætningsmanchetten justeres.

1. Skru afdækningskruen (1) af med en passende skruetrækker, fjern trykfederen (2).
2. Drej trykpladen en kvart omdrejning mod højre med en 10 mm-topnøgle.
3. Trykfederen (2) sættes i, afdækningskruen (1) skrues i til anslag. Hjælper det ikke, henvend Dem venligst til et Titan service-center.



## Udskiftning/Fjernelse af filtret

1. Løsn forskruingen (1) med en skruenøgle, og træk filterhuset (2) og filteret (3) ud af pistolen.
2. Fjern det gamle filter fra filterhuset.
3. Indsæt det nye filter i filterhuset med den smalle ende opad.
4. Placér grebpakningen (4) i pistolhovedet med den flade side af pakningen mod pistolhovedet.
5. Sæt igen filterhuset (3) i pistolen, og skru det fast.



## EU Overensstemmelseserklæring

Vi erklærer under almindeligt ansvar, at dette produkt er i overensstemmelse med følgende bestemmelser:

2006/42/EF, 2014/34/EU, 2011/65/EU

Anvendte harmoniserede normer:

EN ISO 12100, EN 1953, EN ISO 80079-36

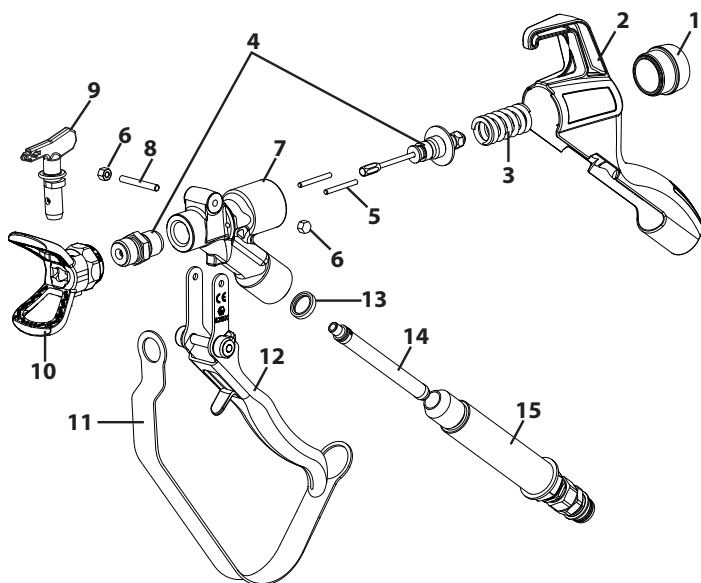


EU Overensstemmelseserklæringen er vedlagt produktet.

Om nødvendigt kan den efterbestilles med bestillingsnummer **2389342**.



# Reservedelsliste



Pos.	Best.-nr.	Betegnelse
1	0335301 2339659	Dækskrue (250 bar) Dækskrue (530 bar)
2	2332588	Håndteringsplade
3	2344878 0347335	Trykfjeder (250 bar) Trykfjeder (530 bar)
4	2347489	Tætning og spreder
5	2332598	Cylinderstift
6	9910403	Hættemøtrik
7	2343066 2343158	Pistolhus 250 bar Pistolhus 530 bar
8	2343085	Bolt
9	662-xxx 696-xxx	Dyse SC6+ (250 bar) Dyse TR High Pressure (530 bar)

Pos.	Best.-nr.	Betegnelse
10	0289228 661-027	Dyseholder 250 bar Dyseholder 530 bar
11	2332605	Beskyttelsesbøjle
12	2333189	Aftrækkerbøjle komplet
13	0043303	Tætning, greb
14	0089958 0089957	Pistolfilter (hvid, 2 stk.) Pistolfilter (grøn, 2 stk.)
15	2347490 2347492	Indskrulingsstykke komplet (250 bar) Indskrulingsstykke komplet (530 bar)

# Försiktighetsåtgärder



Var säkerhetsmedveten! Alla lokala och nationella bestämmelser om ventilation, brandsäkerhet och drift måste följas.



**FARA: Sprutskador**

Strålar under högt tryck som produceras av denna utrustning kan tränga igenom huden och undre vävnader vilket kan leda till allvarlig skada och eventuell amputering. Kontakta läkare omedelbart.

**SPRUTSKADOR SKALL INTE BEHANDLAS SOM VANLIGA SKÄRSKADOR! Sprutskador kan leda till amputering. Kontakta läkare omedelbart. Informera läkaren om vilken typ av färg eller rengöringsmedel som orsakade skadan.**

- Rikta ALDRIG pistolen mot någon kroppsdel.
- Låt ALDRIG någon kroppsdel vidröra vätskestrålen. Låt ALDRIG kroppen komma i kontakt med en läcka i vätskeslangen.
- Placera ALDRIG en hand framför pistolen. Handskar utgör inget skydd mot sprutskador.
- Rikta ALDRIG spraypistolen mot någon annan.
- Lås ALLTID avtryckaren, stäng av pumpen och stäng av allt tryck innan underhåll, rengöring, eller utbyte av delar av sprututrustningen, eller då sprututrustningen lämnas utan tillsyn. Trycket stängs inte av då motorn stängs av. Ventilen PRIME/ SPRAY (LADDA/SPRAYA) måste vara inställd på PRIME (LADDA) för att lätta på trycket. Se proceduren för hur trycket stängs av i pumpmanualen.
- Se till att munstycksskyddet ALLTID är på plats vid sprayning. Munstycksskyddet skyddar något men är i första hand ett varningstillbehör.
- Se till att ALLTID avlägsna spraymunstycket innan rengöring eller spolning av systemet.
- Det kan uppstå läckor i målarlangan från nötning, trassel och felaktig hantering. En läcka kan leda till att material tränger in i huden. Kontrollera slangens före varje användningstillfälle.
- Använd ALDRIG en spraypistol utan ett väl fungerande avtryckarlås eller utan att avtryckarskyddet är på plats.
- Alla tillbehör måste motsvara eller överskrida maximalt driftstryck för trycksprayanordningen. Detta inbegriper spraymunstycken, tillbehör och slang.



### **FARA: Explosionsrisk i anslutning till inkompatibla material**

**- orsakar allvarlig skada eller egendomsskada.**

- Använd inte material som innehåller blekmedel eller klor.
- Använd inte halogenerade kolvätelösningar som exempelvis blekmedel, mildewcide, metylenklorid och 1,1,1 – trichloroethane. Dessa är inte kompatibla med aluminium.
- Kontakta din färgåterförsäljare för information om material som är kompatibla med aluminium.



### **FARA: Allmänt**

**Kan orsaka svår skada eller egendomsskada.**

1. Läs alla instruktioner och försiktighetsåtgärder innan utrustningen används.
2. Spraya aldrig i närheten av brandfarliga källor; exempelvis öppen eld, cigaretter – cigarrer och pipor är också brandfarliga källor - ,gnistor, heta ledningar och varma ytor ,etc.
3. Använd andningsutrustning då du sprayar. Användaren måste förses med skyddsmask. För att undvika arbetsrelaterad sjukdom, måste tillverkarens bestämmelser för de material, lösningsmedel och rengöringsmedel som används följas vid förberedelse, arbete med och rengöring av enheten. Skyddskläder, handskar, skyddsglasögon, och, i vissa fall, skyddande hudkräm krävs för att skydda huden.
4. Följ tillverkarens varningar och instruktioner beträffande färg och lösningar.
5. Avtappningsutrustning skall installeras av användaren i enlighet med lokala bestämmelser.
6. Sprayade föremål måste vara jordade.
7. Undersök alla slangar för förekomst av hål, läckor, förslitningsskador eller utbuktningar före varje användningstillfälle. Undersök alla kopplingar för att se om de är skadade eller rörliga. Byt omedelbart ut slangen vid förekomst av något av ovanstående. Reparera aldrig en målar slang. Byt ut den mot en jordad högtrycksslang.
8. Avtryckaren orsakar en rekylrörelse i handen som håller i spraypistolen. Spraypistolens rekylrörelse är särskilt kraftfull då munstycket har avlägsnats och trycket har ställts in på högtryckspumpen. Av denna anledning skall tryckventilen ställas in på lägsta tryck vid rengöring utan munstycke.
9. Använd endast tillverkarens godkända reservdelar. Användaren står för alla risker och skyldigheter vid användning av delar som inte motsvarar de minimikrav och den säkerhetsutrustning som tillhandahålls av tillverkaren.



## EXPLOSIONSSKYDD MÄRKNING

**X märkning: Spraypistolen motsvarar Ex II 2G c IIC T6 X och lämpar sig, i enlighet med direktiv 2014/34 EU, för användning i explosionsfarliga områden —som exempelvis Zon 1. Under vissa omständigheter kan själva enheten leda till att villkoren för Zon 1 tillämpas.**

**All statisk elektricitet som produceras av spraypistolen skall ledas bort i en jordad högtryckspump via den ledande högtrycksslangen enligt villkoren.**

**Max ytemperatur motsvarar tillåten materialtemperatur. Denna och den tillåtna omgivningstemperaturen finner du i kapitel "Tekniska data".**

I syfte att undvika att gnistor uppstår, bör man undvika all form av slag och arbete med verktyg i det explosionsfarliga området.

## KVARSTÅENDE RISKER

Kvarstående risker är risker som inte kan uteslutas, även om utrustningen används för avsett ändamål. Områden där sådana risker finns markeras med varnings- och/eller förbudsskyltar.

Risk	Källa / Orsak	Påverkan	Förebyggande åtgärder	Kan uppstå under:
Injektions-skada	Finfördelat vätskeflöde under högt tryck	Allvarlig personskada eller amputation	Rikta ALDRIG pistol mot någon kroppsdel	Installation, drift
Explosions-risk	Statisk elektricitet eller gnistor	Allvarlig personskada	Sörj för god ventilation Jorda sprutpistolen	Drift
Farliga ångor	Farliga ångor från sprutmaterial	Allvarlig personskada	Sörj för god ventilation Använd mask	Drift

# Tekniska data

	M-4	M-8
<b>Maximalt driftstryck</b>	25 MPa (250 bar, 3600 PSI)	53 MPa (530 bar, 7700 PSI)
<b>Gångstorlek för materialingång</b>	3/8" NPS	1/4" NPS
<b>Gångstorlek för munstycke</b>	7/8" NPS	7/8" NPS
<b>Material för fuktiga delar</b>	Högvärdigt stål, aluminium, PTFE, hårdmetall	
<b>Driftstemperatur</b>	5°C - 40°C (41°F - 104°F)	
<b>Maximal materialtemperatur</b>	43°C (109°F)	
<b>Vikt (komplett inkl. munstyckes-hållare och munstycke)</b>	680 g (1,5 lbs)	

## Inledning

Denna tryckspraypistol är avsedd för användning för högtrycksatomisering av vätskebaserad färg.

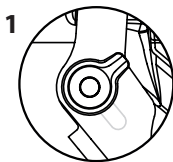
250 barsmodellen är särskilt lämplig för bearbetning av sprutspackel.

530 barsmodellen rekommenderas för skyddsbeläggningar och för användning med alla pumpar som alstrar tillräckligt högt tryck.

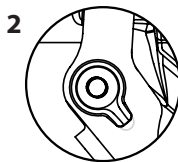
## Användning av pistolens avtryckar

Lås alltid pistolens avtryckarlås då pistolen inte används.

1. För att spärra avtryckaren vrids spärren upp till anslag.
2. Avtryckaren frigörs genom att vrida ner spärren.



Avtryckaren är låst  
(pistolens-  
sprayfunktion  
är av)



Avtryckaren är upplåst  
(pistolensspray-  
funktion är på)

## Pistolfilter



I M-4 / M-8 är inte något pistolfilter förmonterat. Beroende på materialet som ska bearbetas rekommenderas att använda ett munstycke med motsvarande pistolfilter.

**OBS:** Vid bearbetning av sprutspackel och liknande material ska inte pistolfilter användas, eftersom filtret i sådant fall sätts igen.

## Förberedelse

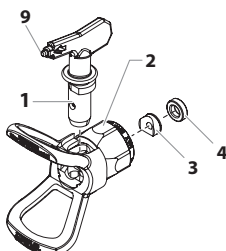


Försök aldrig montera, byta ut, eller rengöra pistolen, munstycke, eller munstycksskydd utan att först avlasta trycket från spraysystemet. Följ "Procedur för tryckavlastning" i användarmanualen för trycksprayanordningen.



Använd alltid ett munstycksskydd för ökat skydd mot insprutning. Själva skyddet förhindrar inte insprutning. Skär aldrig av munstycksskyddet! Lås alltid pistolens avtryckarlås då pistolen inte används. Läs användarmanualen och följ alla varningstexter innan underhåll av utrustningen.

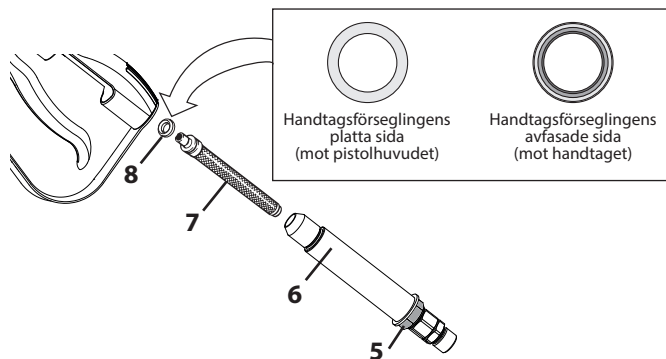
1. Ta av munstycket (1) och munstyckesskyddet (2) från Airless-pistolen.
2. Sätt i och tryck fast munstyckestätningen (3) och packningen (4) på baksidan av munstyckesskyddet (2) med sprutan (9) på munstyckesgreppet.
3. Sätt i munstycket (1) i öppningen i munstyckesskyddet.



4. Skruva in munstyckesskyddet i Airless-pistolen. Ställ in munstyckesskyddet i önskad sprutriktning och dra åt.



Pilen på munskyddshandtaget skall peka framåt vid sprayning.



5. Lossa förskruvningen (5) med skruvnyckeln och dra av filterhuset (6) och filtret (7) från pistolen.
6. Lägg i lämpligt pistolfilter (7) i filterhuset (6) (filtrets smala ände ska peka uppåt).
7. Placera handtagsförseglingen (8) i pistolhuvudet med den platta sidan av förseglingen mot pistolhuvudet.
8. Sätt åter i filterhuset (6) i pistolen och skruva fast det.
9. Anslut en original-högtrycksslang av titan, som är anpassad för trycket, till materialingången på Airless-pistolen. Dra åt ordentligt med hjälp av två skruvnycklar (en på pistolen och en på slang).



**Kontrollera före anslutningen till Airless-sprutan att alla pistolens delar och slang är ordentligt fastskruvade.**

## Drift

1. Se till att pilen på munskyddshandtaget pekar framåt vid sprayning.
2. Starta sprayanordningen. Se instruktionerna i användarmanualen för sprayanordningen.
3. Justera flödestrycket på sprayanordningen till dess att sprayen atomiseras fullständigt. Spraya alltid vid lägsta möjliga tryck som krävs för önskat resultat.



**Storlek och täckning för spraystrålen justeras med spraymunstycket. Vid behov av ökad täckning används ett större munstycke för att öka flödestrycket.**

4. För rengöring av tilltäppt munstycke:
  - a. Roter munstycket 180° så att pilen på munstyckets handtag pekar i motsatt riktning jämfört med spraystrålens riktning.
  - b. Utlös pistolen en gång så att trycket blåser ut tilltäppande material.



**Utlös aldrig avtryckaren mer än en gång då munstycket är i motsatt riktning.**

- c. Fortsätt denna procedur till dess att munstycket är rensat.

## Utbyte av munstycke

Munstycken kan enkelt avlägsnas och bytas ut utan att montera isär pistolen.

### Identifiering av munstycksstorlekar

Använd följande formel för identifiering av munstycksstorlekar. I följande exempel används munstycksstorlek "517".

Den första siffran multiplicerad med två motsvarar storleken på spraymönstret vid sprayning på ett avstånd av 12" (30,5 cm) från arbetsytan.

$$5 \times 2 = 10" \text{ (25,4 cm) spraymönster}$$

Nästa två siffror motsvarar diametern för munstyckets öppning:

$$17 = 0,017" \text{ (0,043 mm) öppning}$$



**Försök aldrig byta ut eller rengöra ett munstycke eller ett munstycksskydd utan att först utföra "Procedur för tryckavlastning".**

1. Utför "Procedur för tryckavlastning" i användarmanualen för trycksprayanordningen.
2. Avlägsna munstycket från springan på munstycksskyddet.
3. Infoga det nya munstycket i springan på munstycksskyddet. Pilen på munskyddshandtaget skall peka framåt vid sprayning.

### Avlägsna försegling och munstycksförsegling

1. Avlägsna munstycket och munstycksskyddet från spraypistolen.
2. Avlägsna förseglingen och munstycksföreglingen från munstycksskyddet.



**Slitna munstycken har en sämre sprutbild och leder till ökad materialförbrukning samt en smalare sprutstråle. Byt ut nötta munstycken omedelbart.**



## Rengöring

En grundligt rengjord Airless-pistol är ett måste för problemfri drift. Spola pistolen efter varje användning och förvara den på en torr plats. Låt inte pistolen eller någon av dess delar ligga kvar i vatten eller lösningsmedel.



### **Särskilda rengöringsinstruktioner för användning av brandfarliga lösningar:**

- Spola alltid spraypistolen utomhus på minst en slanglängd från spraypumpen.
- Vid uppsamling av spolade lösningsmedel i en metallbehållare som rymmer 4 liter (1 gallon), placera den i en tom behållare på 20 liter (5 gallons) och spola sedan lösningsmedlen.
- I arbetsområdet får det inte samlas några lättantändliga ångor och man måste ombesörja god ventilation.
- Följ alla instruktioner för rengöring.



Obs

**Sprutan, slangen och Airless-pistolen måste rengöras grundligt efter varje användning, eftersom det använda materialet annars kan fastna, vilket påverkar maskinens effekt avsevärt.**



**Spruta alltid med lägsta möjliga tryck, när munstycke och munstyckesskydd har tagits av. Använd endast vatten eller ett lämpligt lösningsmedel för att rengöra Airless-pistolen, slangen och sprutan.**

## Underhåll

Följ alla försiktighetsåtgärder enligt beskrivningen i avsnittet Försiktighetsåtgärder i denna manual innan du fortsätter.



Se avsnittet Beståndsdelar i denna manual för identifiering av delarna.

## Utbyte/Underhåll av förseglingsanordningen

Om material tränger ut från Airless-pistolen, även om avtryckaren inte trycks in, är nålen eller nålsätet slitna, skadade eller smutsiga och måste rengöras eller bytas.



**Försök aldrig utföra underhåll på spraypistolen utan att först utföra "Procedur för tryckavlastning."**

1. Ta av materialslangen från Airless-pistolen.  
Se även bilden på sidan 106 för de följande stegen.
2. Avlägsna munstycket och munstycksskyddet.
3. Avlägsna spridarmunstycket längst fram på pistolen med avtryckaren nedtryckt.
4. Skruva av täckskraven (1) med en spårskruvmejsel, ta av tryckfjädern (2).
5. Lossa nålen (3) med 10 mm sticknyckeln och dra ut den från pistolen.
6. Rengör de demonterade delarna grundligt.
7. Kontrollera alla delar för upptäckt av eventuell skada och ersätt dem vid behov med nya delar vid montering av pistolen.



**Smörj alla packningar och rörliga delar innan montering med ett litiumbaserat smörjmedel.**

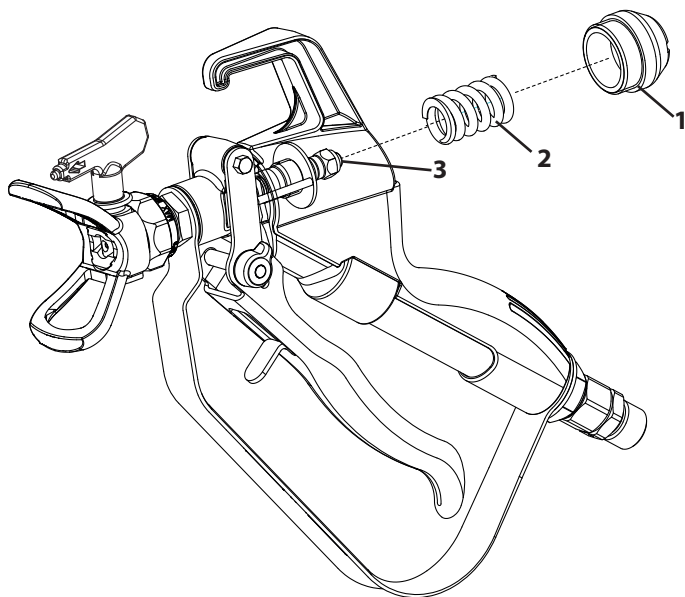
8. För det bakre höljet över retraktornålarna och lås fast dem med låsmuttern.
9. Montera spridarmunstycket på pistolhuvudets framsida med nedtryckt avtryckare och dra åt ordentligt med en skiftnyckel.
10. Sätt åter i nålen i pistolen.
11. Sätt i tryckfjädern (2) och skruva fast täckskraven (1) tills det tar emot.
12. Ställ vid behov in packningen enligt följande beskrivning.

## Justering av tätningsmanschetten



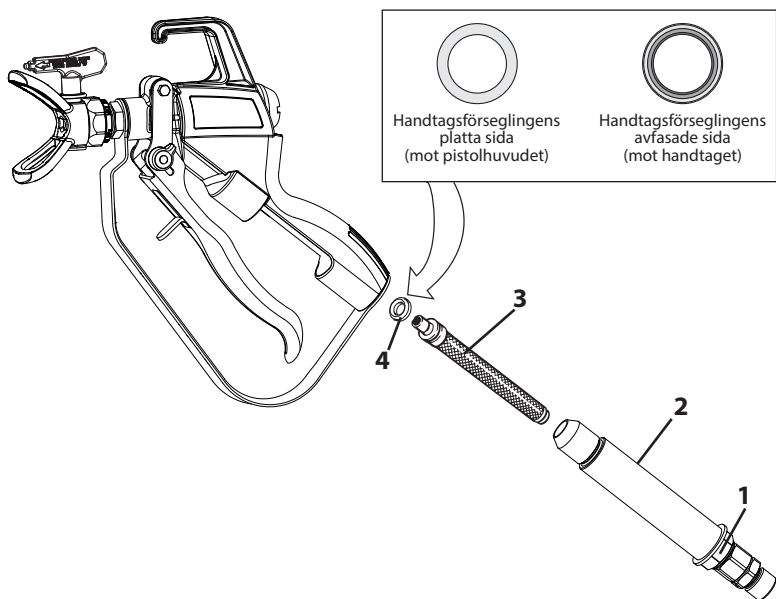
Täckskruven (1) är försedd med ett hål. Om det läcker bstrykningsmassa genom hålet ska tätningsmanschetten justeras.

1. Skruva av täckskruven (1) med en spårskruvmejsel, ta av tryckfjäders (2).
2. Vrid tryckplattan ett fjärdedels varv åt höger med en hylsnyckel strl. 10 mm.
3. Sätt i tryckfjäders (2) och skruva fast täckskruven (1) tills det tar emot. Hjälper inte det, kontakta närmaste Titan servicekontor.



## Utbyte/Avlägsnande av filter

1. Lossa förskruvningen (1) med skruvnyckeln och dra av filterhuset (2) och filtret (3) från pistolen.
2. Ta ut det gamla filtret från filterhuset.
3. Sätt det nya filtret i filterhuset med den smala änden uppåt.
4. Placera handtagsförseglingen (4) i pistolhuvudet med den platta sidan av förseglingen mot pistolhuvudet.
5. Sätt åter i filterhuset (3) i pistolen och skruva fast det.



## EU Konformitetsförklaring

Vi intygar och ansvarar för, att denna produkt överensstämmer med följande norm och dokument:

2006/42/EG, 2014/34/EU, 2011/65/EU

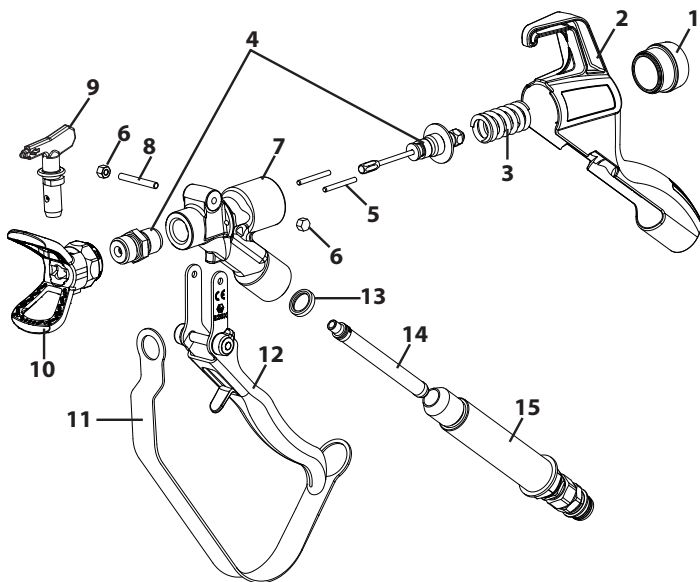
Använta harmoniserade normer:

EN ISO 12100, EN 1953, EN ISO 80079-36



EU-konformitetsförklaringen medföljer produkten. Den kan vid behov beställas genom ordernummer **2389342**.

# Beståndsdelar



Pos.	Best.-nr.	Benämning
1	0335301 2339659	Täckskruv (250 bar) Täckskruv (530 bar)
2	2332588	Handtag
3	2344878 0347335	Tryckfjäder (250 bar) Tryckfjäder (530 bar)
4	2347489	Packning och mellan- stycke
5	2332598	Cylindriskt stift
6	9910403	Hattmutter
7	2343066 2343158	Pistolhölje 250 bar Pistolhölje 530 bar
8	2343085	Bult
9	662-xxx 696-xxx	Munstycke SC6+ (250bar) Munstycke TR High Pressure (530 bar)

Pos.	Best.-nr.	Benämning
10	0289228 661-027	Munstyckeshållare 250bar Munstyckeshållare 530bar
11	2332605	Skyddsbygel
12	2333189	Avtryckarbygel kompl.
13	0043303	Handtagspackning
14	0089958 0089957	Filter (vit, 2 styck) Filter (grön, 2 styck)
15	2347490 2347492	Iskruvningsstycke kompl. 250 bar Iskruvningsstycke kompl. 530 bar

## Warranty

Titan Tool, Inc., ("Titan") warrants that at the time of delivery to the original purchaser for use ("End User"), the equipment covered by this warranty is free from defects in material and workmanship. With the exception of any special, limited, or extended warranty published by Titan, Titan's obligation under this warranty is limited to replacing or repairing without charge those parts which, to Titan's reasonable satisfaction, are shown to be defective within twelve (12) months after sale to the End User. This warranty applies only when the unit is installed and operated in accordance with the recommendations and instructions of Titan.

This warranty does not apply in the case of damage or wear caused by abrasion, corrosion or misuse, negligence, accident, faulty installation, substitution of non-Titan component parts, or tampering with the unit in a manner to impair normal operation.

Defective parts are to be returned to an authorized Titan sales/service outlet. All transportation charges, including return to the factory, if necessary, are to be borne and prepaid by the End User. Repaired or replaced equipment will be returned to the End User transportation prepaid.

THERE IS NO OTHER EXPRESS WARRANTY. TITAN HEREBY DISCLAIMS ANY AND ALL IMPLIED WARRANTIES INCLUDING, BUT NOT LIMITED TO, THOSE OF MERCHANTABILITY AND FITNESS FOR A PARTICULAR PURPOSE, TO THE EXTENT PERMITTED BY LAW. THE DURATION OF ANY IMPLIED WARRANTIES WHICH CANNOT BE DISCLAIMED IS LIMITED TO THE TIME PERIOD SPECIFIED IN THE EXPRESS WARRANTY. IN NO CASE SHALL TITAN LIABILITY EXCEED THE AMOUNT OF THE PURCHASE PRICE. LIABILITY FOR CONSEQUENTIAL, INCIDENTAL OR SPECIAL DAMAGES UNDER ANY AND ALL WARRANTIES IS EXCLUDED TO THE EXTENT PERMITTED BY LAW.

TITAN MAKES NO WARRANTY AND DISCLAIMS ALL IMPLIED WARRANTIES OF MERCHANTABILITY AND FITNESS FOR A PARTICULAR PURPOSE WITH RESPECT TO ACCESSORIES, EQUIPMENT, MATERIALS OR COMPONENTS SOLD BUT NOT MANUFACTURED BY TITAN. THOSE ITEMS SOLD, BUT NOT MANUFACTURED BY TITAN (SUCH AS GAS ENGINES, SWITCHES, HOSES, ETC.) ARE SUBJECT TO THE WARRANTY, IF ANY, OF THEIR MANUFACTURER. TITAN WILL PROVIDE THE PURCHASER WITH REASONABLE ASSISTANCE IN MAKING ANY CLAIM FOR BREACH OF THESE WARRANTIES.

### United States Sales & Service

Phone: 1-800-526-5362

Fax: 1-800-528-4826

1770 Fernbrook Lane  
Plymouth, MN 55447  
[www.titantool.com](http://www.titantool.com)

### International Sales

[international@titantool.com](mailto:international@titantool.com)

Fax: 1-763-519-3509

1770 Fernbrook Lane  
Plymouth, MN 55447

## Garantie

Titan Tool, Inc., ("Titan") garantiert, dass zum Zeitpunkt der Lieferung an den Käufer („Endverbraucher“) die Ausrüstung, die von dieser Garantie abgedeckt ist, frei von Material- und Fabrikationsfehler ist. Mit Ausnahme spezieller, eingeschränkter oder erweiterter Garantie, die Titan bekannt gegeben hat, ist die Gewährleistungsverpflichtung von Titan beschränkt auf den kostenlosen Austausch oder Nachbesserung für jene Teile, die, nachdem dies Titan nachvollziehbar nachgewiesen wurden, binnen zwölf (12) Monaten nach Verkauf an den Endverbraucher sich als fehlerhaft erweisen. Die Garantie greift nur, wenn das Gerät gemäß den Empfehlungen und Anweisungen von Titan installiert und bedient wurde.

Diese Garantie gilt nicht bei Beschädigung oder Abnutzung durch Abrieb, Korrosion oder unsachgemäße Benutzung, Unachtsamkeit, Unfall, unsachgemäße Installation, Verwendung von Ersatzteilen, die nicht von Titan stammen bzw. wenn Änderungen an dem Gerät vorgenommen wurden wodurch eine normale Benutzung beeinträchtigt wird.

Defekte Teile müssen an den autorisierten Titan-Händler/ die autorisierte Titan-Niederlassung zurückgeschickt werden. Alle Transportkosten, einschließlich der Rücksendung an die Fabrik, falls erforderlich, sind vom Endverbraucher zu tragen und müssen im Voraus bezahlt werden. Repariertes oder ausgetauschtes Zubehör wird auf Kosten des Endverbrauchers nach Vorauszahlung der Transportkosten zurückgeschickt  
ES GIBT SONST KEINE ANDERE MÄNGELGARANTIE. TITAN SCHLIESST HIERMIT ALLE UND JEDE STILLSCHWEIGENDE GARANTIE AUS, EINSCHLIESSLICH, JEDOCH NICHT BESCHRÄNKT AUF MARKTFÄHIGKEIT UND EIGNUNG FÜR EINEN BESTIMMTEN ZWECK, SOWEIT GESETZLICH ZULÄSSIG. DIE DAUER ALLER STILLSCHWEIGENDEN GARANTIEN, DIE NICHT AUSGESCHLOSSEN WERDEN KÖNNEN, SIND BESCHRÄNKT AUF DIE IN DER AUSDRÜCKLICHEN GARANTIE FESTGELEGTE DAUER. TITAN HAFTET IN KEINER WEISE ÜBER DEN KAUFPREIS HINAUS. DIE HAFTUNG FÜR FOLGESCHÄDEN, ZUFÄLLIGE SCHÄDEN ODER SPEZIELLE SCHÄDEN UNTER JEDER UND ALLEN GARANTIEN IST AUSGESCHLOSSEN SOWEIT GESETZLICH ZUGELASSEN.

TITAN ÜBERNIMMT KEINE GARANTIE UND SCHLIESST ALLE STILLSCHWEIGENDEN GARANTIEN AUF MARKTFÄHIGKEIT UND EIGNUNG FÜR EINEN BESTIMMTEN ZWECK BEZÜGLICH ZUBEHÖR, AUSTRÜSTUNG, MATERIALIEN UND KOMPONENTEN AUS, DIE VON TITAN VERKAUFT, JEDOCH NICHT HERGESTELLT WURDEN. JENE VON TITAN VERKAUFTEN, JEDOCH NICHT VON TITAN HERGESTELLTEN KOMPONENTEN (WIE Z.B. GASMOTOREN, SCHALTER, SCHLÄUCHE, ETC.) UNTERLIEGEN DER GEWÄHRLEISTUNG DES JEWELIGEN HERSTELLERS, SOFERN DIESE GEWÄHRT WERDEN. TITAN UNTERSTÜTZT DEN KÄUFER IN ANGEMESSENER WEISE, WENN ES UM ANSPRÜCHE WEGEN DER VERLETZUNG VON GEWÄHRLEITUNGEN GEHT.

### United States Sales & Service

Phone: 1-800-526-5362

Fax: 1-800-528-4826

1770 Fernbrook Lane  
Plymouth, MN 55447  
www.titantool.com

### International Sales

international@titantool.com

Fax: 1-763-519-3509

1770 Fernbrook Lane  
Plymouth, MN 55447

## Garantie

Titan Tool, Inc. ("Titan") garantit qu'au moment de la livraison à l'acheteur initial ("Utilisateur"), l'appareil couvert par la présente garantie sera exempt de défauts de matériaux et de fabrication. Exception faite de toute garantie particulière ou limitée et de toute extension de garantie publiées par Titan, la responsabilité de celui-ci se limite, en vertu de la présente garantie, au remplacement ou à la réparation sans frais des pièces dont le caractère défectueux aura été démontré de manière satisfaisante pour Titan, dans un délai de douze (12) mois après la date d'achat par l'Utilisateur. Cette garantie ne sera applicable que si l'appareil a été installé et utilisé conformément aux recommandations et directives de Titan.

Cette garantie ne sera pas applicable dans les cas d'endommagement ou d'usure dus à l'abrasion, la corrosion, un mauvais usage, la négligence, un accident, une installation incorrecte, un remplacement par des composants non fournis par Titan ou toute autre intervention non autorisée de nature à nuire au fonctionnement normal de l'appareil.

Les pièces défectueuses devront être envoyées à un centre de service / vente Titan autorisé. Les frais de transport couvrant y compris le retour à l'usine, seront, le cas échéant, prépayés par l'Utilisateur. Après réparation ou remplacement, les pièces seront renvoyées à ce dernier par transport prépayé.

AUCUNE AUTRE GARANTIE EXPRESSE N'EST ACCORDÉE. TITAN REJETTE TOUTE AUTRE GARANTIE IMPLICITE Y COMPRIS, NOTAMMENT, LES GARANTIES DE QUALITÉ MARCHANDE ET DE COMPATIBILITÉ AVEC UN USAGE PARTICULIER, DANS LES LIMITES PERMISES PAR LA LOI.

LA DURÉE DES GARANTIES IMPLICITES NE POUVANT FAIRE L'OBJET D'UNE RENONCIATION SE LIMITE À LA PÉRIODE INDIQUÉE DANS LA GARANTIE EXPRESSE.

LA RESPONSABILITÉ DE TITAN NE SAURAIT EN AUCUN CAS ÊTRE ENGAGÉE POUR UN MONTANT SUPÉRIEUR À CELUI DU PRIX D'ACHAT. TITAN EXCLUT TOUTE RESPONSABILITÉ RELATIVE AUX DOMMAGES INDIRECTS, ACCESSOIRES OU PARTICULIERS, DANS LES LIMITES PRÉVUES PAR LA LOI.

TITAN NE DONNE AUCUNE GARANTIE ET DÉCLINE TOUTE GARANTIE IMPLICITE DE QUALITÉ MARCHANDE ET DE COMPATIBILITÉ AVEC UN USAGE PARTICULIER EN CE QUI CONCERNE LES ACCESSOIRES, L'APPAREIL, LES MATÉRIAUX OU LES COMPOSANTS VENDUS MAIS NON FABRIQUÉS PAR TITAN. CES DERNIERS ÉLÉMENTS, VENDUS MAIS NON FABRIQUÉS PAR TITAN (MOTEURS À ESSENCE, COMMUTATEURS, FLEXIBLES, ETC.), SONT SOUMIS, LE CAS ÉCHÉANT, À LA GARANTIE DU FABRICANT. TITAN S'ENGAGE À PORTER ASSISTANCE AUX ACHETEURS, DANS LES LIMITES DU RAISONNABLE, POUR LA CONSTITUTION DE RÉCLAMATIONS RELATIVES AU NON RESPECT DE CES GARANTIES.

### United States Sales & Service

Phone: 1-800-526-5362

Fax: 1-800-528-4826

1770 Fernbrook Lane  
Plymouth, MN 55447  
[www.titantool.com](http://www.titantool.com)

### International Sales

[international@titantool.com](mailto:international@titantool.com)

Fax: 1-763-519-3509

1770 Fernbrook Lane  
Plymouth, MN 55447



## Garantía

Titan Tool, Inc., ("Titan") garantiza que al momento de la entrega al comprador original para su uso ("Usuario Final") el equipo que se encuentra bajo la cobertura de esta garantía no presentará defectos de materiales ni de mano de obra. A excepción de cualquier garantía especial, limitada o extendida publicada por Titan, la obligación de Titan según esta garantía se limita el reemplazo o la reparación sin cargo de las piezas, las que según el criterio de Titan se presenten como defectuosas dentro de doce (12) meses después de la venta al Usuario Final. Esta garantía es aplicable sólo cuando la unidad se instala y se hace funcionar de acuerdo con las recomendaciones e instrucciones de Titan.

Esta garantía no se aplica en caso de daño o desgaste provocado por abrasión, corrosión, uso indebido, negligencia, accidente, instalación defectuosa, sustitución de piezas de componentes que no pertenezcan a Titan o la alteración de la unidad de alguna manera que impida su funcionamiento normal.

Las piezas defectuosas se deben devolver a una tienda de ventas/servicio técnico autorizada de Titan. Todos los cargos de transporte, incluido el regreso a la fábrica de ser necesario, deben ser costeados y pagados por adelantado por el Usuario Final. El equipo que se repare o reemplace se devolverá al Usuario Final con los gastos de envío pagados por adelantado.

NO EXISTE OTRA GARANTÍA EXPRESA. POR ESTE MEDIO TITAN NIEGA TODAS LAS GARANTÍAS IMPLÍCITAS, ENTRE LAS QUE SE INCLUYEN, AQUELLAS DE COMERCIABILIDAD Y APTITUD PARA UN FIN EN PARTICULAR DENTRO DE LO QUE PERMITA LA LEY. LA DURACIÓN DE CUALQUIER GARANTÍA IMPLÍCITA QUE NO SE PUEDA NEGAR SE LIMITA AL PERÍODO QUE SE ESPECIFIQUE EN LA GARANTÍA EXPRESA. LA RESPONSABILIDAD DE TITAN NO EXCEDERÁ EN NINGÚN CASO EL VALOR DE LA COMPRA. LA RESPONSABILIDAD POR DAÑOS ESPECIALES, INDIRECTOS O EMERGENTES SEGÚN CUALQUIERA Y TODAS LAS GARANTÍAS ESTÁ EXCLUIDA DENTRO DE LO QUE PERMITA LA LEY.

TITAN NO REALIZA NINGUNA GARANTÍA Y NIEGA TODAS LAS GARANTÍAS IMPLÍCITAS DE COMERCIABILIDAD Y APTITUD PARA UN FIN EN PARTICULAR EN RELACIÓN CON ACCESORIOS, EQUIPOS, MATERIALES O COMPONENTES QUE VENDA, PERO QUE NO FABRIQUE TITAN. ESTOS ARTÍCULOS QUE VENDA, PERO QUE NO FABRIQUE TITAN (TALES COMO MOTORES DE GAS, INTERRUPTORES, MANGUERAS, ETC.) ESTÁN SUJETOS A LA GARANTÍA, DE EXISTIR ALGUNA, DE SU FABRICANTE. TITAN PROPORCIONARÁ UNA ASISTENCIA RAZONABLE AL COMPRADOR PARA REALIZAR CUALQUIER RECLAMACIÓN POR EL INCUMPLIMIENTO DE ESTAS GARANTÍAS.

### United States Sales & Service

Phone: 1-800-526-5362

Fax: 1-800-528-4826

1770 Fernbrook Lane  
Plymouth, MN 55447  
[www.titantool.com](http://www.titantool.com)

### International Sales

[international@titantool.com](mailto:international@titantool.com)

Fax: 1-763-519-3509

1770 Fernbrook Lane  
Plymouth, MN 55447

## Garanzia

Titan Tool, Inc., ("Titan") garantisce che al momento della consegna all'acquirente originale per l'uso ("utente finale"), il dispositivo coperto da questa garanzia è esente da difetti nei materiali e nella lavorazione. Con l'eccezione di qualsiasi garanzia speciale, limitata o estesa pubblicata da Titan, gli obblighi di Titan ai sensi di questa garanzia si limitano alla sostituzione o riparazione gratuite di quei componenti che, secondo ragionevole valutazione di Titan, si dimostrano essere difettosi entro dodici (12) mesi dalla vendita all'utente finale. Questa garanzia si applica solo se l'unità è installata e utilizzata secondo i consigli e le istruzioni di Titan.

Questa garanzia non si applica in caso di danni o usura causati da abrasione, corrosione o errato uso, negligenza, incidente, installazione errata, sostituzione di componenti non Titan o manomissione dell'unità in modo da impedire il normale funzionamento.

I componenti difettosi devono essere restituiti ad un punto vendita/assistenza Titan. Tutte le spese di trasporto, compresa la restituzione alla fabbrica, se necessario, devono essere sostenute e prepagate dall'utente finale. Il dispositivo riparato o sostituito sarà restituito all'utente finale con trasporto prepagato.

NON CI SONO ALTRE GARANZIE ESPRESSE. TITAN CON IL PRESENTE ESCLUDE QUALSIASI E TUTTE LE GARANZIE IMPLICITE COMPRESE, MA NON LIMITATE A, QUELLE DI COMMERCIALIZZABILITÀ E ADEGUATEZZA AD UN PARTICOLARE SCOPO, NELLA MISURA CONSENTITA DALLA LEGGE. LA DURATA DI QUALSIASI GARANZIA IMPLICITA CHE NON POSSA ESSERE ESCLUSA SI LIMITA AL PERIODO DI TEMPO SPECIFICATO NELLA GARANZIA ESPRESSA. IN NESSUN CASO LA RESPONSABILITÀ DI TITAN SUPERERÀ L'AMMONTARE DEL PREZZO DI ACQUISTO. LA RESPONSABILITÀ PER DANNI CONSEGUENZIALI, INCIDENTALI O SPECIALI AI SENSI DI QUALSIASI E TUTTE LE GARANZIE È ESCLUSA NELLA MISURA CONSENTITA DALLA LEGGE.

TITAN NON DÀ ALCUNA GARANZIA E ESCLUDE TUTTE LE GARANZIE IMPLICITE DI COMMERCIALIZZABILITÀ E ADEGUATEZZA AD UN PARTICOLARE SCOPO CON RIFERIMENTO A ACCESSORI, DISPOSITIVO, MATERIALI O COMPONENTI VENDUTI MA NON PRODOTTI DA TITAN. GLI ARTICOLI VENDUTI, MA NON PRODOTTI DA TITAN (COME MOTORI A GAS, INTERRUTTORI, FLESSIBILI, ECC.) SONO SOGGETTI ALL'EVENTUALE GARANZIA DEI LORO PRODUTTORI. TITAN FORNIRÀ ALL'ACQUIRENTE LA RAGIONEVOLE ASSISTENZA NEL PRESENTARE RICORSO PER LA VIOLAZIONE DI TALI GARANZIE.

### United States Sales & Service

Phone: 1-800-526-5362

Fax: 1-800-528-4826

1770 Fernbrook Lane  
Plymouth, MN 55447  
[www.titantool.com](http://www.titantool.com)

### International Sales

[international@titantool.com](mailto:international@titantool.com)

Fax: 1-763-519-3509

1770 Fernbrook Lane  
Plymouth, MN 55447

## Garantia

A Titan Tool, Inc., ("Titan") garante que, no momento da entrega ao comprador original para seu uso ("Utilizador Final"), o equipamento coberto por esta garantia está isento de defeitos no material e na fabricação. Com a exceção de qualquer garantia especial, limitada ou alargada publicada pela Titan, a obrigação da Titan sob esta garantia se limita a substituir ou reparar sem cobrar essas peças que, segundo o critério da Titan, demonstram estar defeituosas dentro de doze (12) meses após a venda ao Utilizador Final. Esta garantia aplica-se apenas quando a unidade é instalada e operada de acordo com as recomendações e as instruções da Titan.

Esta garantia não se aplica no caso de danos ou desgaste causado pelo desgaste abrasivo, corrosão ou uso indevido, negligência, acidente, instalação incorrecta, substituição de peças de componentes sem serem da Titan, ou alteração ilegal da unidade de forma a afectar o funcionamento normal.

As peças defeituosas devem ser devolvidas a um centro de vendas/serviço autorizado da Titan. Todos os encargos de transporte, incluindo a devolução à fábrica, se necessário, serão custeados e pagos previamente pelo Utilizador Final. O equipamento reparado ou substituído será devolvido ao Utilizador Final com porte pré-pago.

**NÃO EXISTE NENHUMA OUTRA GARANTIA EXPRESSA. A TITAN RECUSA PELA PRESENTE TODAS E QUAISQUER GARANTIAS IMPLÍCITAS INCLUINDO, SEM LIMITAÇÕES, AS DE ADEQUAÇÃO À COMERCIALIZAÇÃO, ADEQUAÇÃO A UM FIM ESPECÍFICO, NA MEDIDA EM QUE A LEGISLAÇÃO OBRIGA. A DURAÇÃO DE QUAISQUER GARANTIAS IMPLÍCITAS QUE NÃO PODEM SER RECUSADAS LIMITA-SE AO PRAZO ESPECIFICADO NA GARANTIA EXPRESSA. EM CASO ALGUM, A RESPONSABILIDADE DA TITAN EXCEDERÁ O MONTANTE DO PREÇO DE COMPRA. A RESPONSABILIDADE POR DANOS CONSEQUENCIAIS, ACIDENTAIS OU ESPECIAIS AO ABRIGO DE TODAS E QUAISQUER GARANTIAS ESTÁ EXCLUÍDA NA MEDIDA EM QUE A LEGISLAÇÃO OBRIGA.**

A TITAN NÃO OFERECE GARANTIAS E RECUSA TODAS AS GARANTIAS IMPLÍCITAS DE ADEQUAÇÃO À COMERCIALIZAÇÃO E ADEQUAÇÃO A UM FIM ESPECÍFICO REFERENTE A ACESSÓRIOS, EQUIPAMENTO, MATERIAIS OU COMPONENTES VENDIDOS, MAS NÃO FABRICADOS PELA TITAN. AQUELES ARTIGOS VENDIDOS, MAS NÃO FABRICADOS PELA TITAN (COMO MOTORES A GÁS, INTERRUPTORES, TUBOS, ETC.), ESTÃO SUJEITOS À GARANTIA DO SEU PRÓPRIO FABRICANTE, CASO EXISTA. A TITAN PROPORCIONARÁ AO COMPRADOR ASSISTÊNCIA ADEQUADA PARA EFECTUAR QUAISQUER RECLAMAÇÕES EM CASO DE INCUMPRIMENTO DESTAS GARANTIAS.

### United States Sales & Service

Phone: 1-800-526-5362

Fax: 1-800-528-4826

1770 Fernbrook Lane  
Plymouth, MN 55447  
[www.titantool.com](http://www.titantool.com)

### International Sales

[international@titantool.com](mailto:international@titantool.com)

Fax: 1-763-519-3509

1770 Fernbrook Lane  
Plymouth, MN 55447

## Garantie

Titan Tool, Inc., ("Titan") garandeert dat, op het moment van de levering aan de oorspronkelijke aankoper die de apparatuur zal gebruiken ("Eindgebruiker"), de apparatuur vrij is van defecten in het materiaal en de uitvoering. Met uitzondering van eventuele speciale, beperkte of uitgebreide garanties die door Titan zijn gepubliceerd, is de verplichting van Titan onder deze garantie beperkt tot het kosteloos vervangen of repareren van de onderdelen die, naar het redelijk oordeel van Titan, defect zijn binnen de twaalf (12) maanden na de verkoop aan de eindgebruiker. Deze garantie is alleen van toepassing wanneer de eenheid is geïnstalleerd en wordt gebruikt in overeenstemming met de aanbevelingen en instructies van Titan.

De garantie is niet van toepassing wanneer schade of slijtage optreedt als gevolg van schuren, roest of oneigenlijk gebruik, nalatigheid, een ongeval, een foute installatie, vervanging met onderdelen die niet van Titan zijn of geknoei met de eenheid die de normale werking belemmeren.

Defecte onderdelen moeten worden geretourneerd aan een bevoegd verkoop-/servicepunt van Titan. Alle transportkosten, inclusief retour naar de fabriek indien nodig, zijn ten laste van en worden vooraf betaald door de Eindgebruiker. Gerepareerde of vervangen apparatuur wordt geretourneerd aan de Eindgebruiker, waarbij het transport vooraf is betaald.

ER IS GEEN ANDERE UITDRUKKELIJKE GARANTIE. TITAN WIJST HIERBIJ ALLE IMPLICIETE GARANTIES AF, INCLUSIEF, MAAR NIET BEPERKT TOT, EEN GARANTIE VOOR VERKOOPBAARHEID EN GESCHIKTHEID VOOR EEN BEPAALD DOELEINDE, VOOR ZOVER DE WET DIT TOELAAT. DE DUUR VAN EVENTUELE IMPLICIETE GARANTIES DIE NIET KUNNEN WORDEN AFGEWEEZEN IS BEPERKT TOT DE DUUR DIE IN DE UITDRUKKELIJKE GARANTIE IS VERMELD. DE AANSPRAKELIJKHEID VAN TITAN ZAL IN GEEN GEVAL GROTER ZIJN DAN HET BEDRAG VAN DE AANKOOPPRIJS. AANSPRAKELIJKHEID VOOR GEVOLGSCHADE, INCIDENTELE OF SPECIALE SCHADE IS UITGESLOTEN ONDER ALLE GARANTIES, VOOR ZOVER DE WET DIT TOELAAT.

TITAN GEEFT GEEN GARANTIES EN WIJST ALLE IMPLICIETE GARANTIES AF VOOR DE VERKOOPBAARHEID EN GESCHIKTHEID VOOR EEN BEPAALD DOELEINDE VAN ACCESSOIRES, APPARATUUR, MATERIALEN OF ONDERDELEN DIE DOOR TITAN WORDEN VERKOCHT, MAAR NIET GEPRODUCEERD. DEZE ARTIKELN DIE DOOR TITAN WORDEN VERKOCHT, MAAR NIET GEPRODUCEERD (ZOALS GASMOTOREN, SCHAKELAARS, SLANGEN, ENZ.) ZIJN ONDERWORPEN AAN DE GARANTIE VAN HUN PRODUCENT. TITAN ZAL DE AANKOPER OP REDELIJKE WIJZE BIJSTAAN BIJ HET INSTELLEN VAN ENE VORDERING BIJ EEN INBREUK OP DEZE GARANTIES.

### United States Sales & Service

Phone: 1-800-526-5362

Fax: 1-800-528-4826

1770 Fernbrook Lane  
Plymouth, MN 55447  
[www.titantool.com](http://www.titantool.com)

### International Sales

[international@titantool.com](mailto:international@titantool.com)

Fax: 1-763-519-3509

1770 Fernbrook Lane  
Plymouth, MN 55447

## Garanti

Titan Tool, Inc., ("Titan") garanterer, at udstyret - på leveringstidspunktet til brug af den oprindelige køber ("slutbruger") - som denne garanti dækker, er frit for defekter mht. materiale og forarbejdning. Med undtagelse af særlig, begrænset eller udvidet garanti offentliggjort af Titan, er Titans forpligtelse under denne garanti begrænset til udskiftning eller reparation uden omkostninger for de reservedele, som i Titans rimelige omdømme viser sig at være defekte indenfor tolv (12) måneder efter salget til slutbrugeren. Denne garanti gælder kun, når enheden er installeret og betjent i overensstemmelse med anbefalinger og anvisninger fra Titan.

Denne garanti gælder ikke i tilfælde af beskadigelse eller slid forårsaget af slibning, tæring eller misbrug, forsømmelighed, hændeligt uheld, forkert installation, udskiftning med reservedele som ikke stammer fra Titan, eller pilfingre som piller ved enheden så normal betjening svækkes.

Dele, som er defekte, skal sendes tilbage til en autoriseret Titan forhandler/serviceværksted. Alle forsendelsesomkostninger, inklusive tilbagesendelse til fabrikken om nødvendigt, er slutbrugers ansvar og skal forudbetales. Repareret eller udskiftet udstyr bliver tilbagesendt til slutbrugeren med forudbetalt forsendelse.

DER ER INGEN ANDEN UDTRYKkelig GARANTI. TITAN FRALÆGGER SIG HEDMED ALLE OG ENHVER UNDERFORSTÅEDE GARANTIER INKLUSIVE, MEN IKKE BEGRÆNSET TIL GARANTIER VEDRØENDE SALGBARHED OG EGNETHED FOR ET SÆRLIGT FORMÅL, I DEN UDSTRÆKNING LOVEN TILLADER. VARIGHEDEN AF ALLE UNDERFORSTÅEDE GARANTIER, SOM IKKE KAN FRALÆGGES, ER BEGRÆNSET TIL DEN TIDSPERIODE, DER SPECIFICERES I DEN UDTRYKkelige GARANTI. UNDER INGEN OMSTÆNDIGHEDER SKAL TITANS ERSTATNINGSFORPLIGTELSE OVERSTIGE KØBSPRISEN. ERSTATNINGSFORPLIGTELSE FOR FØLGESKADE, TILFÆLDIGE ELLER SÆRLIGE SKADER UNDER ALLE OG ENHVER GARANTI ER UDELUKKET I DEN UDSTRÆKNING LOVEN TILLADER.

TITAN GIVER INGEN GARANTI OG FRALÆGGER SIG ALLE UNDERFORSTÅEDE GARANTIER FOR SALGBARHED OG EGNETHED FOR ET SÆRLIGT FORMÅL MED HENSYN TIL TILBEHØR, UDS TYR, MATERIALER ELLER KOMPONENTER, SOM SÆLGES, MEN IKKE FREMSTILLES AF TITAN (F.EKS. BENZINMOTORER, AFBRYDERE, SLANGER OSV.) DISSE UNDERLAGT GARANTIER, HVIS DE FINDES, FRA DERES PRODUCENT. TITAN VIL YDE KØBEREN RIMELIG HJÆLP MED AT STILLE ETHVERT ERSTATNINGSKRAV FOR MISLIGHOLDELSE AF DE SIDSTNÆVNTE GARANTIER.

### United States Sales & Service

Phone: 1-800-526-5362

Fax: 1-800-528-4826

1770 Fernbrook Lane  
Plymouth, MN 55447  
[www.titantool.com](http://www.titantool.com)

### International Sales

[international@titantool.com](mailto:international@titantool.com)

Fax: 1-763-519-3509

1770 Fernbrook Lane  
Plymouth, MN 55447

## Garanti

Titan Tool, Inc., ("Titan") garanterar att, vid tidpunkten för leverans till den ursprungliga köparen ("Slutanvändare"), utrustningen som täcks av denna garanti är fri från material- och tillverkningsfel. Med undantag för någon speciell, begränsad eller utökad garanti utfärdad av Titan, är Titans skyldighet under denna garanti begränsad till kostnadsfritt utbyte eller reparation av de delar, enligt Titans rimliga tillfredsställelse, visar sig vara defekta inom tolv (12) månader efter försäljning till Slutanvändaren. Den här garantin gäller endast när enheten installeras och används enligt rekommendationer och anvisningar från Titan.

Garantin gäller inte i händelse av skada eller slitage som orsakats av slitning, korrosion eller felaktig användning, vårdslöshet, olyckshändelse, felaktig installation, användning av andra komponenter än Titan-komponenter, eller manipulering av enheten på ett sätt som försämrar normal drift.

Defekta delar returneras till en godkänd Titan-butik/verkstad. Alla fraktkostnader, inklusive retur till fabriken, vid behov, förskottsbetalas av Slutanvändaren. Reparerad eller utbytt utrustning returneras till Slutanvändaren i frankerat emballage.

DET FINNS INTE NÅGON ANNAN UTTRYCKT GARANTI. TITAN FRISKRIVER SIG HÄRMED FRÅN ALLA UNDERFÖRSTÅDDA GARANTIER, BLAND ANNAT DE ANGÅENDE SÄLJBARHET OCH LÄMPLIGHET FÖR ETT SPECIELLT ÄNDAMÅL, I DEN OMFATTNING LAGEN MEDGER DET. VARAKTIGHETEN FÖR EN UNDERFÖRSTÅDD GARANTI SOM INTE KAN FRISKRIVAS ÄR BEGRÄNSAD TILL DEN TIDSPERIOD SOM ANGES I DEN UTTRYCKTA GARANTIN. I INGET FALL SKA TITANS SKYLDIGHET ÖVERSKRIDA BELOPPET PÅ INKÖSPRISET. ANSVAR FÖR FÖLJDSKADOR, OFÖRUTSEDDA ELLER SPECIELLA SKADOR UNDER NÅGON GARANTI ÄR EXKLUDERAT TILL DEN OMFATTNING LAGEN MEDGER. TITAN LÄMNAR INGEN GARANTI OCH FRISKRIVER SIG FRÅN ALLA UNDERFÖRSTÅDDA GARANTIER ANGÅENDE SÄLJBARHET OCH LÄMPLIGHET FÖR ETT SPECIELLT ÄNDAMÅL MED HÄNSYN TILL TILLBEHÖR, UTRUSTNING, MATERIAL ELLER KOMPONENTER SOM SÄLJS MEN INTE TILLVERKAS AV TITAN. DE ARTIKLAR SOM SÄLJS, MEN INTE TILLVERKAS AV TITAN (T.EX. GASMOTORER, BRYTARE, SLANGAR ETC.) GÄLLER UNDER EVENTUELL GARANTI FRÅN DERAS TILLVERKARE. TITAN GER KÖPAREN RIMLIG ASSISTANS MED EVENTUELL YRKANDE OM ÖVERTRÄDANDE AV DESSA GARANTIER.

### United States Sales & Service

Phone: 1-800-526-5362

Fax: 1-800-528-4826

1770 Fernbrook Lane  
Plymouth, MN 55447  
[www.titantool.com](http://www.titantool.com)

### International Sales

[international@titantool.com](mailto:international@titantool.com)

Fax: 1-763-519-3509

1770 Fernbrook Lane  
Plymouth, MN 55447



**United States Sales & Service**

**Phone: 1-800-526-5362**

**Fax: 1-800-528-4826**

1770 Fernbrook Lane  
Plymouth, MN 55447  
[www.titantool.com](http://www.titantool.com)

**International Sales**

**[international@titantool.com](mailto:international@titantool.com)**

**Fax: 1-763-519-3509**

1770 Fernbrook Lane  
Plymouth, MN 55447